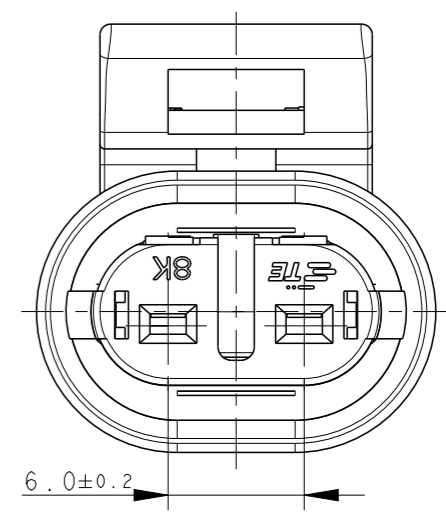
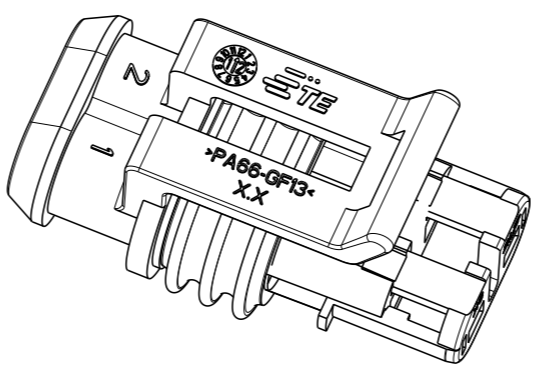
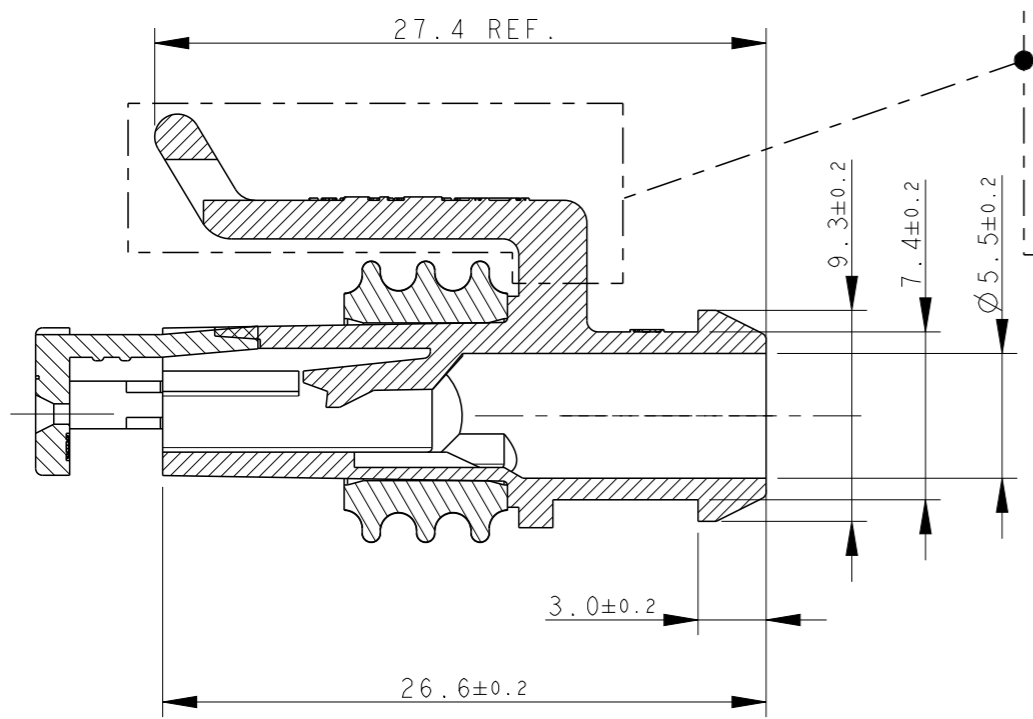
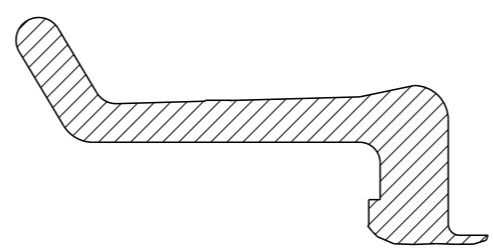


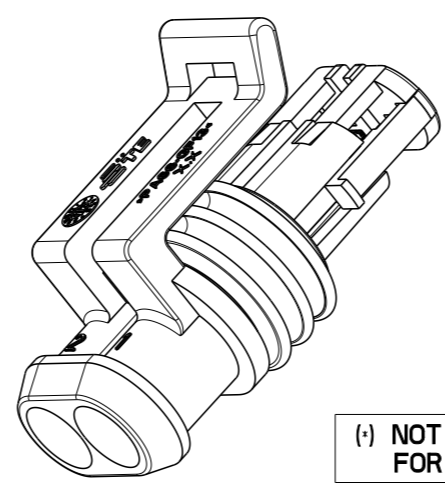
REVISIONS

P	LTR	DESCRIPTION	DATE	DWN	APVD
D2		ADDED FSL SEAL VERSION (ECO-15-016364)	13NOV2015	M.G.	M.G.
D3		REVISED PER ECO-17-001706	10FEB2017	C.A.	M.G.
D4		REVISED PER ECO-19-017338	15NOV2019	AP	VN
D5		REVISED PER ECO-20-009351	03JUL2020	AP	VN

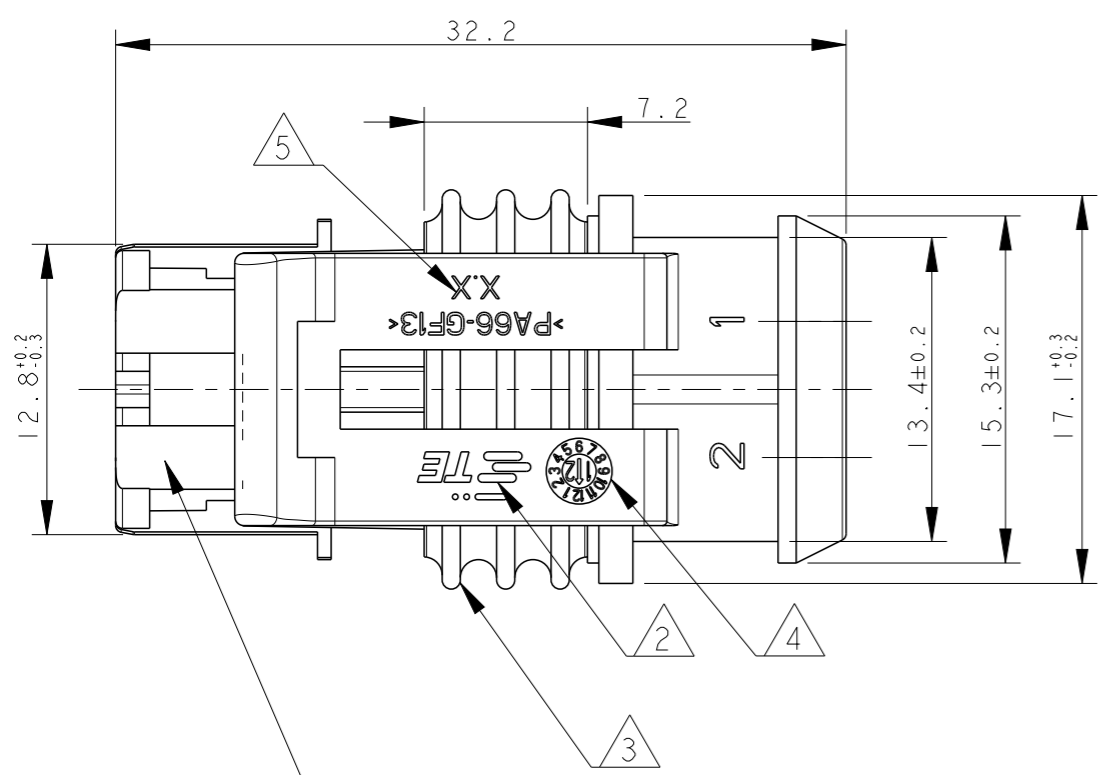
ALTERNATIVE DESIGN OF LOCKING LANCE



- 1) FOR COUNTERPART DETAILS, SEE SHEET 2 OF 2
- 2) TE CONNECTIVITY TRADE MARK, (IN ALTERNATIVE: "AMP" LOGO, OR "E" LOGO, OR "Tyco Electronics" LOGO)
- 3) SEALING (COLOUR YELLOW FOR LSR VERSION) (COLOUR WHITE FOR FSL VERSION)
- 4) DATECODE (OPTIONAL IN OLD MOULDS).
- 5) MOULD/MOULD CAVITY NUMBER



(\*) NOT YET RELEASED FOR PRODUCTION



PRE-ASSEMBLED SECONDARY LOCK (COLOUR RED/WHITE)

FINISH/COLOR	MATERIAL	PART NUMBER
HSG-WHITE, SL-WHITE	ACC. TO IEC 60335-1 HSG+SL: PA66GF20 UL94-V2 SEALING: LSR	1745096-1
HSG-BLACK, SL-RED	HOUSING+SEC.LOCK:PA66-GF SEALING: FSL	1-282080-1 (*)
HSG-BROWN, SL-RED	HOUSING+SEC.LOCK:PA66-GF SEALING: LSR	282080-4
HSG-GREEN, SL-RED		282080-3
HSG-GRAY, SL-RED		282080-2
HSG-BLACK, SL-RED		282080-1

THIS DRAWING IS A CONTROLLED DOCUMENT.

DWN C. BERTINI 05-1992	NAME -	TE Connectivity
CHK A. BRUNI 05-1992		
APVD -	PRODUCT SPEC 108-20090	AMP SUPERSEAL 1.5 SRS. 2 POSITIONS PLUG ASS'Y
MATERIAL -	APPLICATION SPEC 412-20000	
DIMENSIONS: mm	TOLERANCES UNLESS OTHERWISE SPECIFIED:	SIZE A3
0 PLC ±-	1 PLC ±0.3	CAGE CODE 00779
2 PLC ±-	3 PLC ±-	DRAWING NO C-282080
3 PLC ±-	4 PLC ±-	RESTRICTED TO -
4 PLC ±-	ANGLES ±2°	WEIGHT 2.60gr
MATERIAL -	FINISH -	SCALE 3:1
SEE TABLE	SEE TABLE	SHEET 1 OF 2
		REV D5

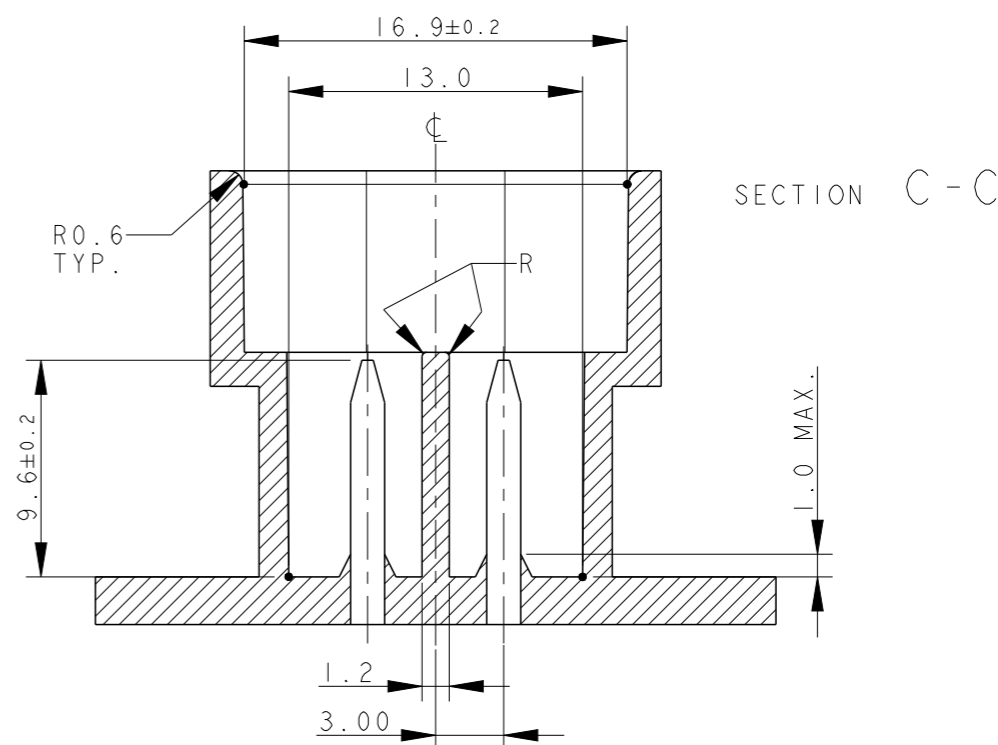
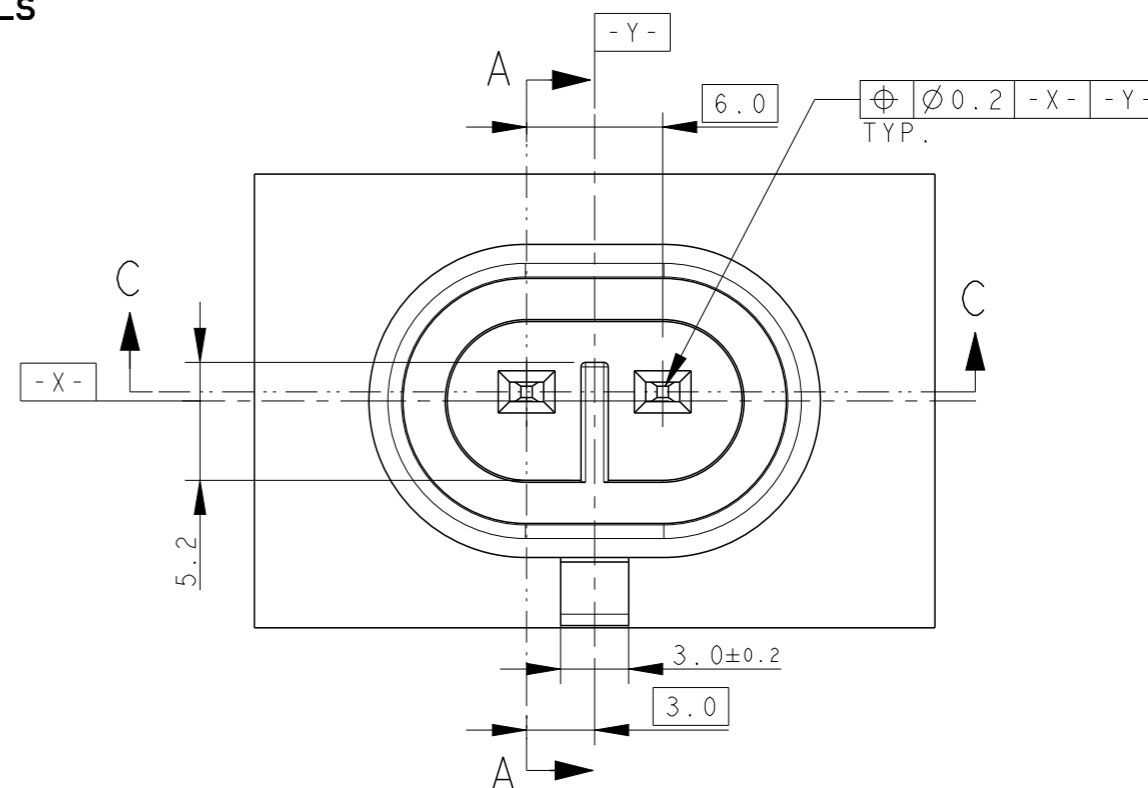
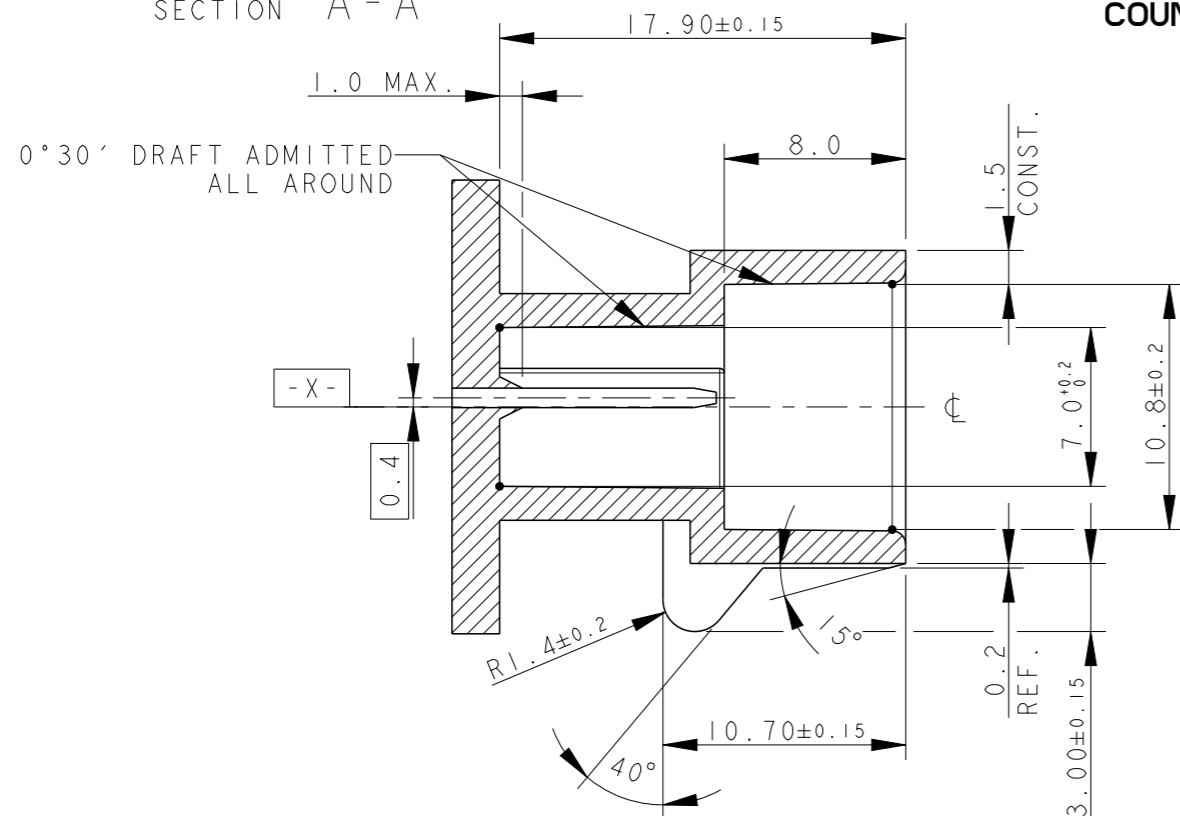
Customer Drawing

REVISIONS

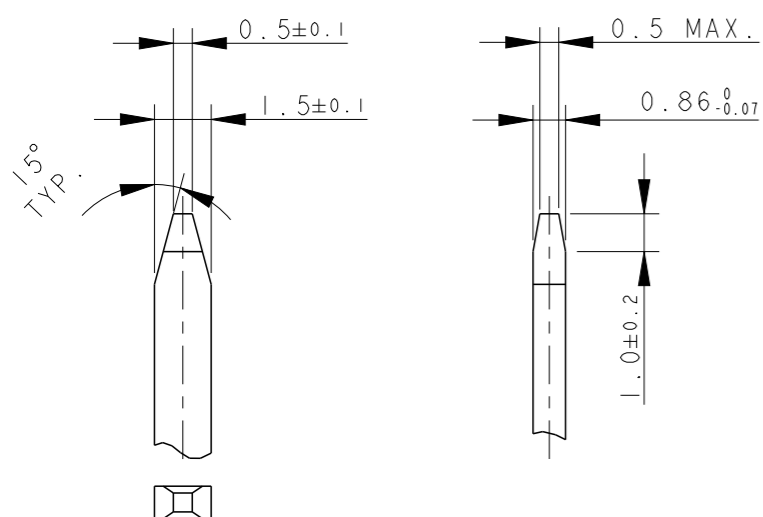
P	LTR	DESCRIPTION	DATE	DWN	APVD
-	-	SEE SHEET 1	-	-	-

SECTION A - A

COUNTERPART DETAILS



TAB DETAILS



MATERIALS: PA66-GF FOR HOUSING  
 TIN PLATED BRASS FOR TABS  
 FOR PN 1745096-1; COUNTER PART MATL  
 PA66-GF ACC TO IEC60335-1  
 PRODUCT SPEC: 108-20090-2

THIS DRAWING IS A CONTROLLED DOCUMENT.

DWN C. BERTINI 05-1992

CHK A. BRUNI 05-1992

APVD -

NAME

PRODUCT SPEC

108-20090

APPLICATION SPEC

412-20000

WEIGHT

2.60gr



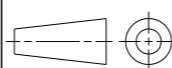
AMP SUPERSEAL 1.5 SRS.  
2 POSITIONS PLUG ASS'Y

SIZE CAGE CODE DRAWING NO RESTRICTED TO

A300779 C-282080

Customer Drawing SCALE 5:1 SHEET 2 OF 2 REV D5

DIMENSIONS: mm



TOLERANCES UNLESS OTHERWISE SPECIFIED:

- 0 PLC ±0.3
- 1 PLC ±0.1
- 2 PLC ±0.05
- 3 PLC ±
- 4 PLC ±
- ANGLES ±2°

FINISH

4

3

2

1

THIS DRAWING IS UNPUBLISHED.

RELEASED FOR PUBLICATION

2007

© COPYRIGHT 2007 BY -

ALL RIGHTS RESERVED.

REVISIONS

P	LTR	DESCRIPTION	DATE	DWN	APVD
	B1	REVISED PER ECO-17-009774	06SEP2017	M.G.	M.G.
	B2	REVISED PER ECO-19-004916	29MAR2019	AP	VN

PRE-ASSEMBLED SECONDARY LOCK

SECTION C-C

Dimensions for SECTION C-C:

- 10.6±0.2
- 13.8<sup>+0.3</sup><sub>-0.4</sub>
- 10.7±0.3
- 3.0±0.2
- 9.5
- 30.0
- 42.0
- Ø 5.5±0.2
- 7.4±0.2
- 9.3±0.2

PART SECTION B-B

Dimensions for PART SECTION B-B:

- 8.10±0.15
- 5.6<sup>+0.3</sup><sub>-0.2</sub>
- 0.80<sup>+0.15</sup><sub>-0.05</sub>

Dimensions for front view:

- 19.8
- 15.6<sup>+0.3</sup><sub>-0.1</sub>
- 13.4±0.2
- 15.3±0.2

Callouts: 1, 2, C, XX

Dimensions for top view:

- 6.0±0.2
- 3.0±0.2

HSG: WHITE SEC. LOCK: WHITE	PA66-GF UL94-V2 ACC. TO IEC 60335-1	A	1745099-1
HSG: GREEN SEC. LOCK: RED	PA66-GF	B	282104-3
HSG: GRAY SEC. LOCK: RED	PA66-GF	B	282104-2
HSG: BLACK SEC. LOCK: RED	PA66-GF	B	282104-1
FINISH/COLOR	MATERIAL	REV	P/N

THIS DRAWING IS A CONTROLLED DOCUMENT.

DWN C. BERTINI 02-1990

CHK A. BRUNI 02-1990

APVD -

PRODUCT SPEC

108-20090

APPLICATION SPEC

412-20000

WEIGHT 3.72g

Customer Drawing

DIMENSIONS:  
mmTOLERANCES UNLESS  
OTHERWISE SPECIFIED:

0 PLC	±-
1 PLC	± 0.3
2 PLC	±-
3 PLC	±-
4 PLC	±-
ANGLES	± 2°

MATERIAL

SEE TABLE

FINISH

SEE TABLE

TE Connectivity

NAME  
AMP SUPERSEAL 1.5 SRS.  
2 POSITIONS TAB ASS'Y

SIZE CAGE CODE DRAWING NO

A300779 C-282104

RESTRICTED TO

-

SCALE 3:1

SHEET 1 OF 1

REV B2

1 TE CONNECTIVITY TRADE MARK,  
(IN ALTERNATIVE: "AMP" LOGO, OR "Tyco Electronics" LOGO)

2 DATE CODE (OPTIONAL IN OLD MOULDS)

1470-19 (3/13)

4

3

2

1

THIS DRAWING IS UNPUBLISHED.

RELEASED FOR PUBLICATION

20

REVISIONS

© COPYRIGHT 20 BY - ALL RIGHTS RESERVED.

P	LTR	DESCRIPTION	DATE	DWN	APVD
	E6	REVISED PER ECO-11-005033	02APR2011	RK	HMR
	E7	REDRAWN TO CREO	14APR2017	GH	JP
	F	REVISED TO MATCH PART 282109-5 REVISION	27SEP2018	SCK	SCK

C-C

1 FOR TE GERMANY PRODUCTION ONLY:  
GOLD PLTD 0.8µm OVER "ZONE A", TIN PLTD OVER  
"ZONE B" AND NICKEL UNDERPLATING ALL OVER  
SOLO PER PRODUZIONE TE GERMANY:  
DORTURA 0.8µm NELLA "ZONA A", STAGNATURA NELLA  
"ZONA B" E NICHELATURA SU TUTTO IL CONTATTO.

2 SUITABLE FOR SINGLE WIRE SEAL TE P/N 281934-...  
ADATTO PER GOMMINO TE P/N 281934-...

3 ITEM IS SUPPLIED REELED ON CARTON REEL  
WITH STRIP PITCH = 11.9±0.1mm  
STATO DI FORNITURA: AVVOLTI SU BOBINA CON PASSO  
TRA TERMINALI DI = 11.9±0.1mm

PRE-TIN (PRE STAGNATO)	PHOSPH. BRONZE (BRONZO FOSF.)	282109-5
GOLD PLTD (DORATO) 1	BRASS (OTTONE)	282109-3
PRE-TIN (PRE STAGNATO)	BRASS (OTTONE)	282109-1
FINISH/COLOUR (FINITURA/COLORE)	MATERIAL (MATERIALE)	TE PART NO. (NUMERO)

INS. DIA. RANGE (DIAM. ISOLANTE)	WIRE RANGE (RANGO FILO)
2	∅0.75 - 1.5mm <sup>2</sup>

DIRECTION OFF TOP OF REEL  
SENSO DI USCITA DALLA BOBINA

THIS DRAWING IS A CONTROLLED DOCUMENT.

DIMENSIONS:	TOLERANCES UNLESS OTHERWISE SPECIFIED:
mm	
	0 PLC ± 1 PLC ± 2 PLC ± ±0.3 3 PLC ± 4 PLC ±
	ANGLES ±2°
MATERIAL	FINISH
-	-

DWN	BASSANO	09NOV1990
CHK	BERTINI	09NOV1990
APVD	A.BRUNI	09NOV1990
PRODUCT SPEC	108-20090	
APPLICATION SPEC	114-20045	
WEIGHT	-	
CUSTOMER DRAWING		

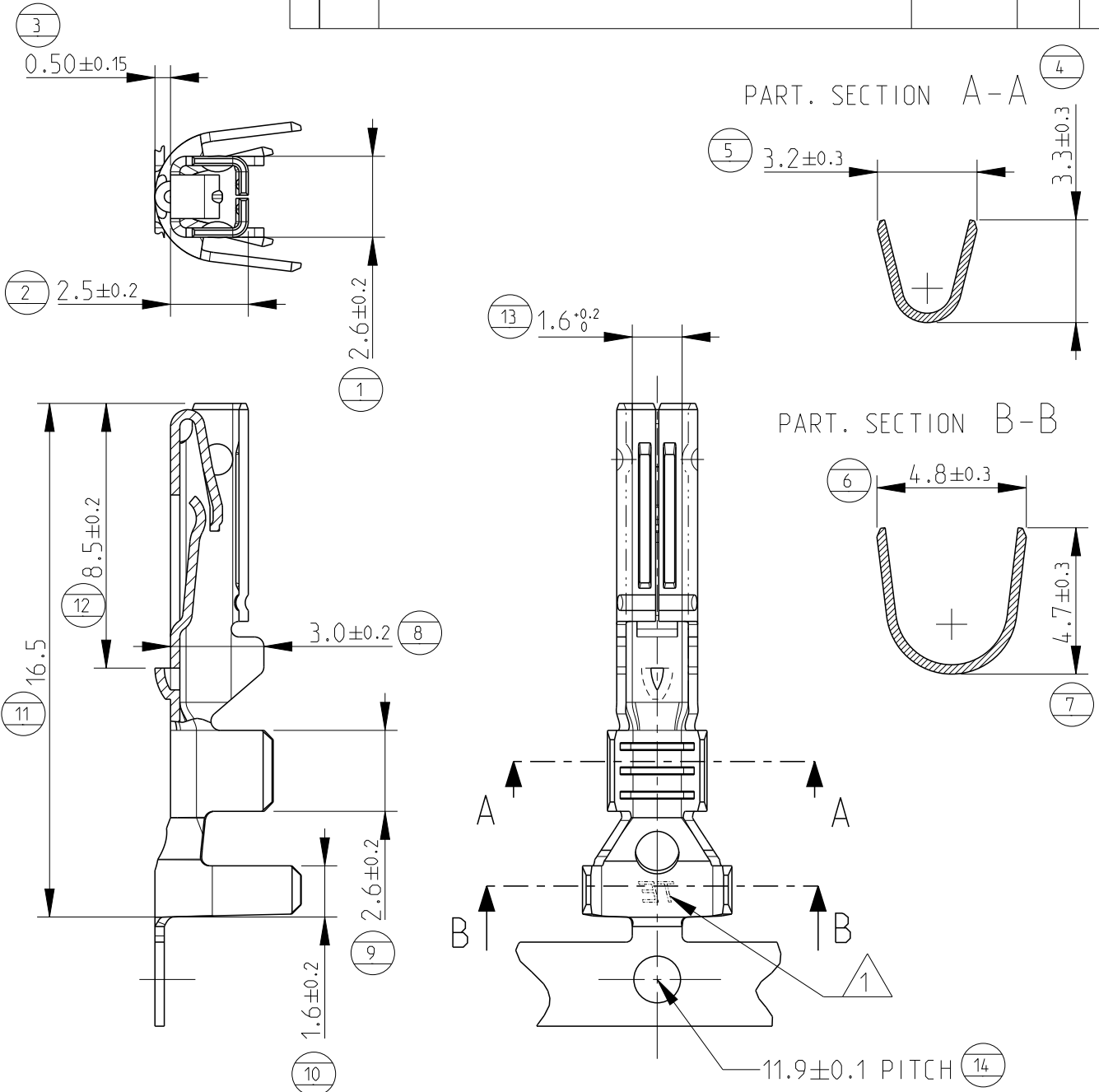
NAME  
MINI MIC SRS TAB CONTACT

SIZE	CAGE CODE	DRAWING NO	RESTRICTED TO
A3	00779	C=282109	

SCALE 5:1 SHEET 1 OF 1 REV F

1470-19 (3/13)

REVISIONS				
P	LTR	DESCRIPTION	DATE	DWN APVD
	D2	REVISED PER ECR-15-001967	11FEB2015	M.G. M.G.



- 1 "TE" LOGO OR, IN ALTERNATIVE, "AMP" LOGO
- 2) SUITABLE FOR SINGLE WIRE SEAL P/N 281934-...
- 3) WIRE SIZE RANGE: 0.75-1.5mm2

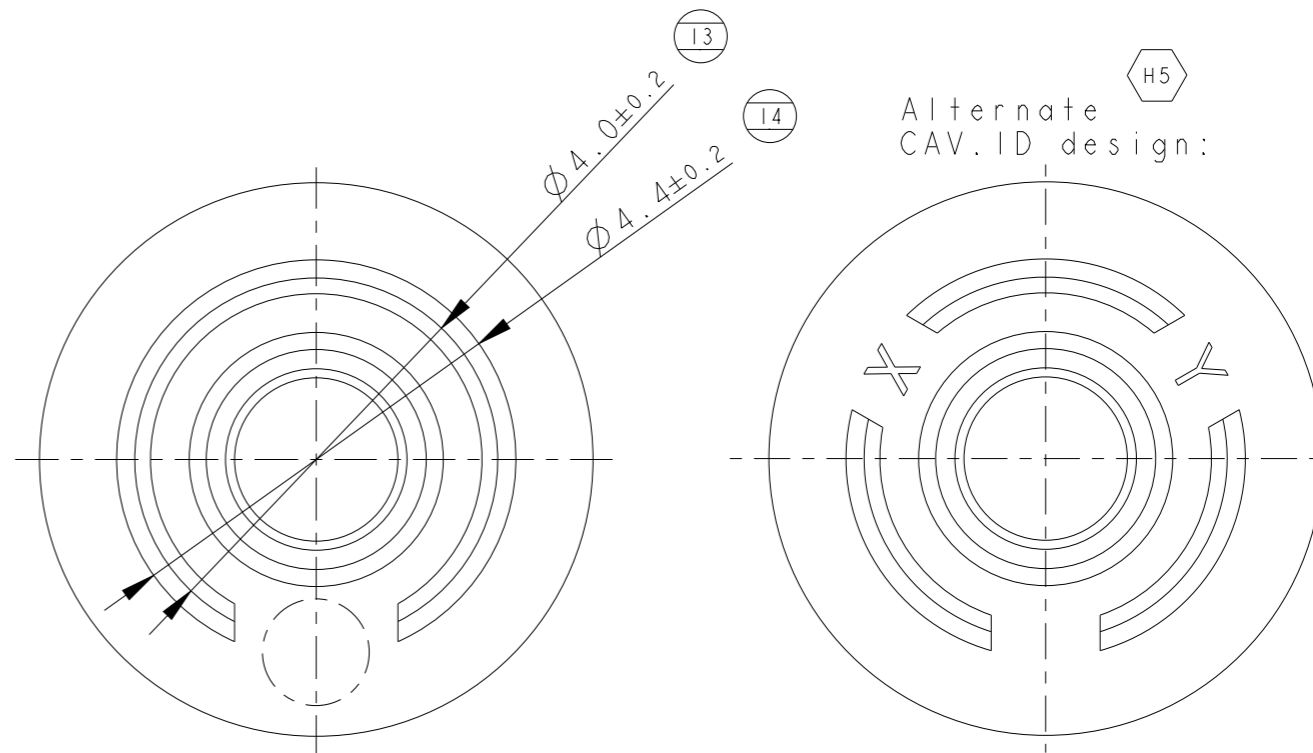
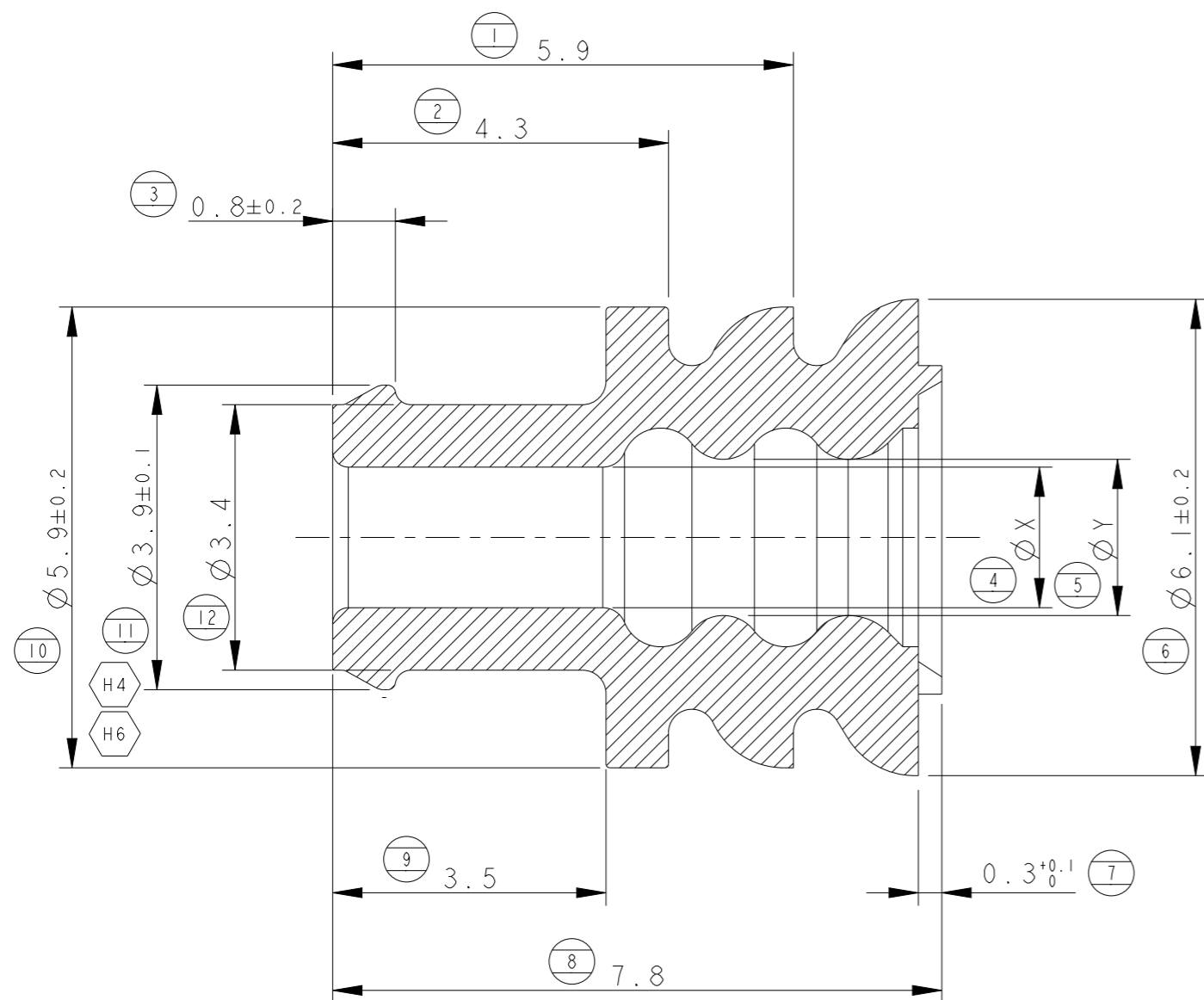
**P/N 282110-1 AS SHOWN**

20  
 RELEASED FOR PUBLICATION  
 ALL RIGHTS RESERVED.  
 BY -  
 COPYRIGHT 20

DIMENSIONS:		DWN	09Nov90	MATERIAL	PH. BRONZE	FINISH	PRE-TIN
mm		Bassano		TE Connectivity			
TOLERANCES UNLESS OTHERWISE SPECIFIED:		CHK	09Nov90				
0 PLC ±		Bertini		NAME MINI MIC SRS. RECEPTACLE CONTACT			
1 PLC ±0.3		APVD	-				
2 PLC ±		PRODUCT SPEC		SIZE    CAGE CODE    DRAWING NO    RESTRICTED TO A 4    00779    C=282110    -			
3 PLC ±		108-20090					
4 PLC ±		APPLICATION SPEC		SCALE    SHEET    OF    REV 5:1    1    OF    1    D2			
ANGLES ±°		114-20045					
		WEIGHT		Customer Drawing			
		0.35gr					

REVISIONS

P	LTR	DESCRIPTION	DATE	DWN	APVD
H3		ECR-23-169886	17APR2023	BV	GB
H4		(5- -3) added & DIM.11 Tolerance changed.	13MAY2025	BV	SZG
H5		Alternate CAV.ID design added.	11SEP2025	BV	GB
H6		Drawing error (DIM.11) was fixed	23SEP2025	BV	GB



SCALE 5:1



same as 281934-3	same as 281934-3	same as 281934-3	YELLOW	LSR	H	5-281934-3	H4
same as 281934-2	same as 281934-2	same as 281934-2	YELLOW	LSR	H	5-281934-2	H3
1.2 - 1.6	1.0±0.2	1.0±0.2	WHITE	FLUORSILICONE RUBBER (FSL)	H	281934-5	
			GREEN	SILICONE RUBBER (LSR)	H	281934-4	
2.5 - 3.3	2.0±0.2	1.8±0.2	RED	SILICONE RUBBER (LSR)	H	281934-3	
1.7 - 2.4	1.4±0.2	1.4±0.2	YELLOW	SILICONE RUBBER (LSR)	H	281934-2	
SUITABLE FOR INS. DIA	DIM. "Y"	DIM. "X"	COLOUR	MATERIAL	REV.	P/N	



THIS DRAWING IS A CONTROLLED DOCUMENT.

DWN C. BERTINI 12-'88

CHK A. BRUNI 05-'92

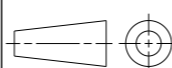
APVD -

NAME SINGLE WIRE SEAL



DIMENSIONS: mm

TOLERANCES UNLESS OTHERWISE SPECIFIED:



0 PLC ±0.3  
 1 PLC ±0.3  
 2 PLC ±  
 3 PLC ±  
 4 PLC ±  
 ANGLES ±2°

PRODUCT SPEC -

APPLICATION SPEC -

WEIGHT -

SIZE A3 CAGE CODE - DRAWING NO C-281934 RESTRICTED TO -

MATERIAL

SEE TABLE

Customer Drawing

SCALE 7:1 SHEET 1 OF 1 REV H6