

REV	DATE	DESCRIPTION	DATE	OWN	APVD
D1	21MAY2024	REVISED PER PCN-24-210159	21MAY2024	PS	CB
D2	17SEP2024	REVISED PER PCN-24-220917	17SEP2024	PS	CB
D4	08SEP2025	REVISED PER PCN-25-254987	08SEP2025	AP	AJ

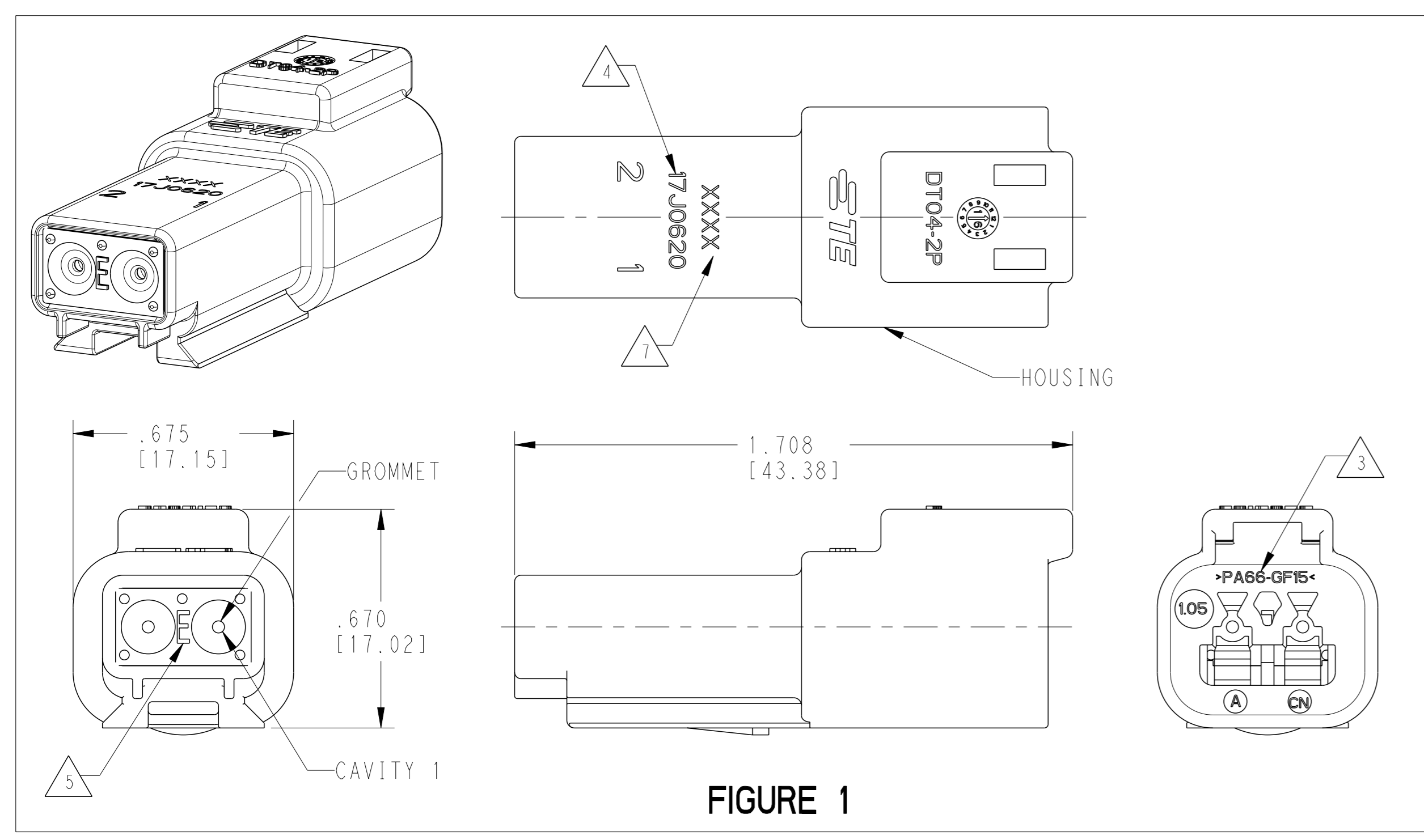


FIGURE 1

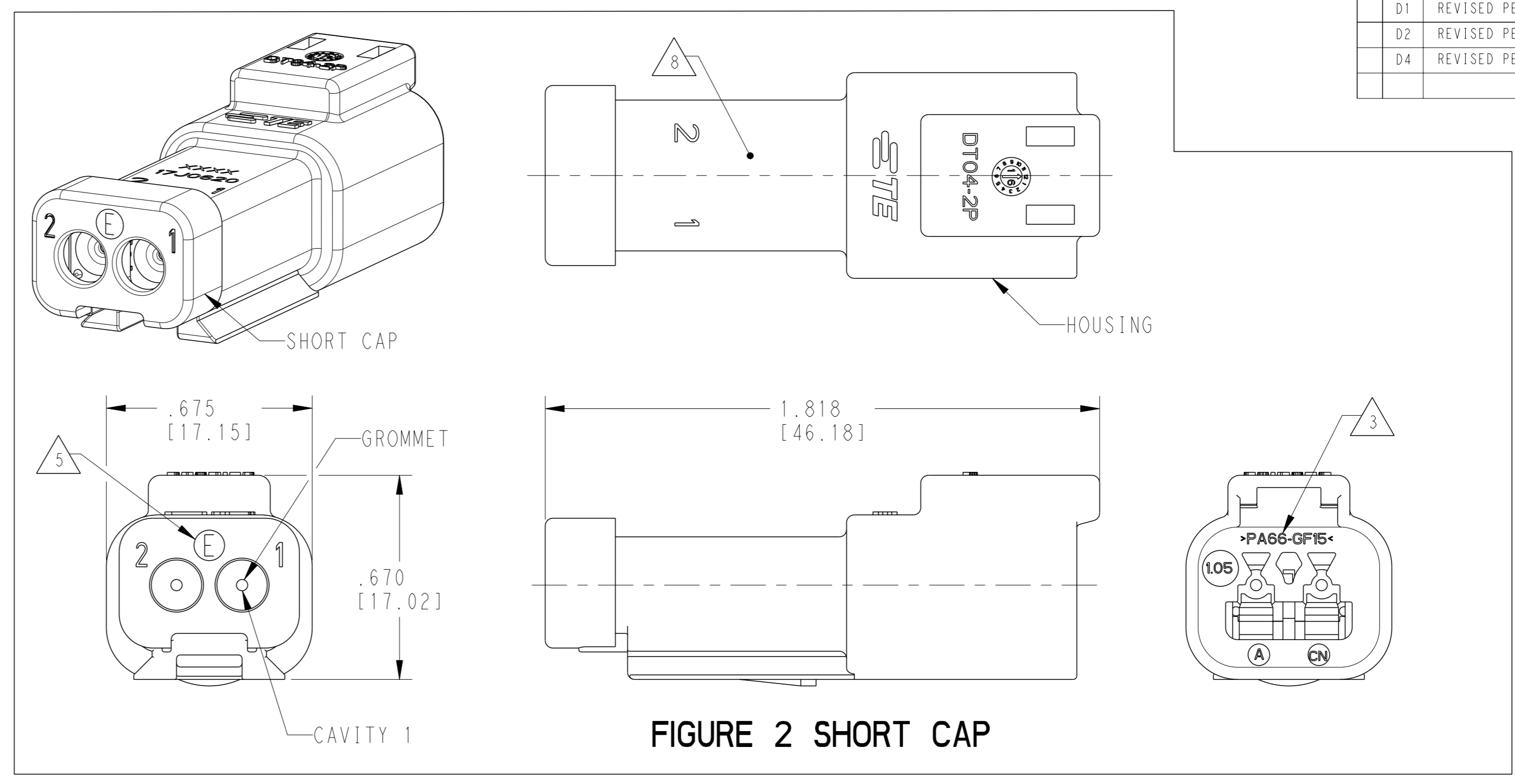


FIGURE 2 SHORT CAP

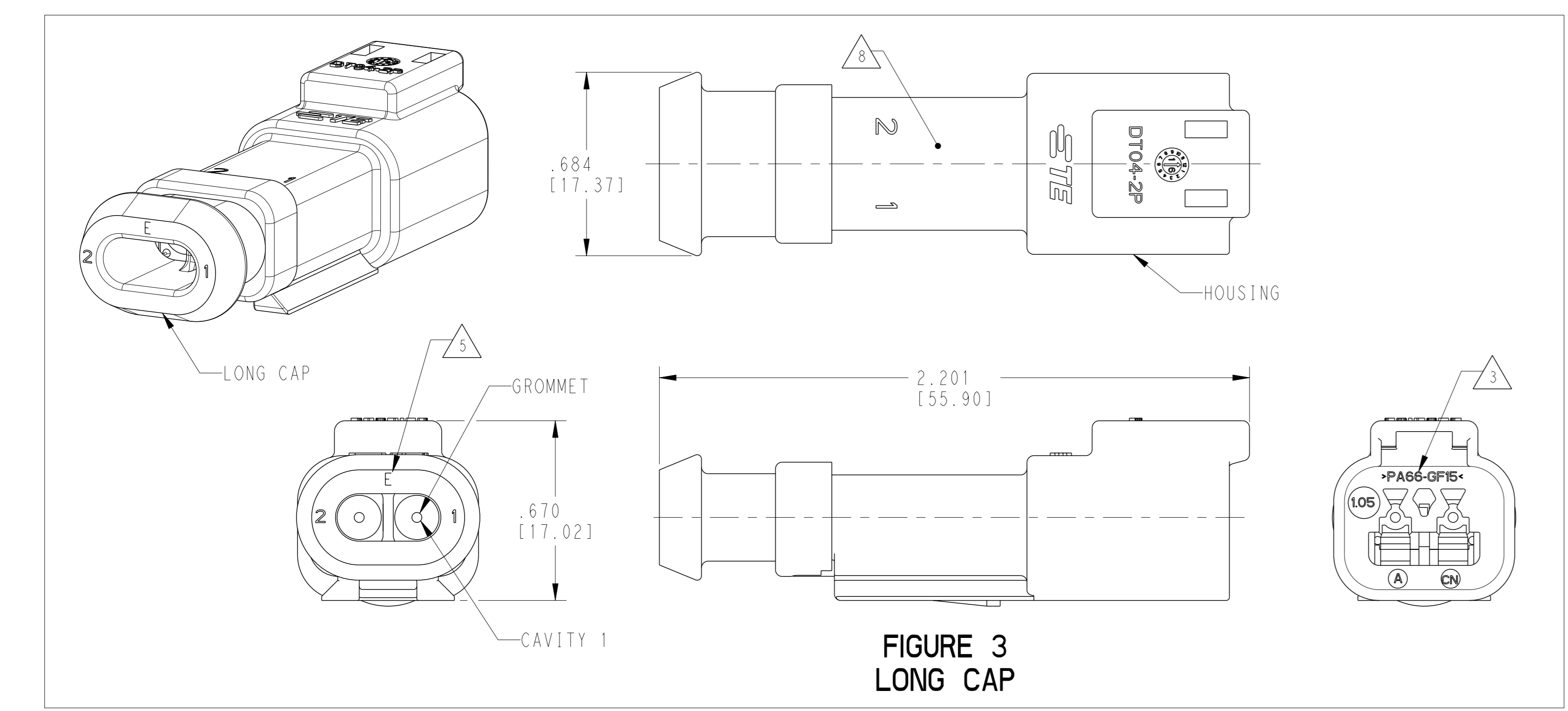


FIGURE 3 LONG CAP

CONTACT SIZE	WIRE RANGE	INSULATION OD SEALING RANGE	SEAL IDENTIFICATION
16	14-20 AWG [2.5-0.5mm ²]	.088- .145 [2.23-3.68]	STANDARD SEAL
		.053- .120 [1.35-3.05]	EXTRA THIN SEAL E-SEAL

TE INTERNAL PART NUMBER	DEUTSCH PART NUMBER	PN REV	HOUSING COLOR	STANDARD SEAL GROMMET	EXTRA THIN SEAL E-SEAL GROMMET	BLOCKED SEAL	SHORT CAP	LONG CAP	FIGURE
DT04-2P	DT04-2P	A	GREY	X					1
DT04-2P-C015	DT04-2P-C015	B	GREY		X				1
DT04-2P-C017	DT04-2P-C017	B	GREY			X	X		2
DT04-2P-CE01	DT04-2P-CE01	C	GREY		X		X		2
DT04-2P-CE04	DT04-2P-CE04	D	GREY		X			X	3
DT04-2P-E003	DT04-2P-E003	B	GREY	X			X		2
DT04-2P-E008	DT04-2P-E008	B	GREY	X				X	3
DT04-2P-EP04	DT04-2P-EP04	C	GREY	X			X		2
DT04-2P-P004	DT04-2P-P004	B	GREY	X					1
DT04-2P-CE02	DT04-2P-CE02	B	BLACK		X				1
DT04-2P-CE03	DT04-2P-CE03	B	BLACK		X		X		2
DT04-2P-CE09	DT04-2P-CE09	B	BLACK		X			X	3
DT04-2P-E004	DT04-2P-E004	A	BLACK	X					1
DT04-2P-E005	DT04-2P-E005	A	BLACK	X			X		2
DT04-2P-EE01	DT04-2P-EE01	A	BLACK	X				X	3
1-2448108-1	DT04-2P-TE09	A	BROWN		X				1
1-2448108-2	DT04-2P-TE03	A	GREEN		X				1
1-2448108-3	DT04-2P-TE07	A	BLUE		X				1
2-2448108-1	DT04-2P-TN09	A	BROWN	X					1
2-2448108-2	DT04-2P-TN03	A	GREEN	X					1
2-2448108-3	DT04-2P-TN07	A	BLUE	X					1
3-2448108-1	DT04-2P-EE18	A	BROWN		X		X		2
3-2448108-2	DT04-2P-EE16	A	GREEN		X		X		2
3-2448108-3	DT04-2P-EE17	A	BLUE		X		X		2
4-2448108-1	DT04-2P-EE14	A	BROWN	X			X		2
4-2448108-2	DT04-2P-EE13	A	GREEN	X			X		2
4-2448108-3	DT04-2P-EE06	A	BLUE	X			X		2

- 4. DATE CODE: IDENTIFIES THE YEAR, MONTH, DAY AND HOUR OF ASSEMBLY.
YEAR: FIRST AND SECOND DIGITS. (17 = 2017)
MONTH: THIRD DIGIT, EXCLUDING I. A = JAN, B = FEB, C = MARCH ... (K = OCTOBER)
DAY: FOURTH AND FIFTH DIGITS (14 = 14th DAY)
HOUR: SIXTH AND SEVENTH DIGITS (11 = 11AM)
- 3. MATERIAL: HOUSING, PA66 GF15, SEE TABLE FOR COLOR
SHORT, LONG CAP: PA66 GF15, BLACK
GROMMET: E-SEAL VMO (BURNT RED)
N-SEAL VMO (RED-ORANGE)
BLOCKED VMO (RED-ORANGE)
- 2. THIS RECEPTACLE MATES WITH DT06-2S-XXXX PLUG.
(XXXX = ALL MODIFICATIONS)
- 1. SECONDARY WEDGE LOCK SOLD SEPARATELY: W2PX-XXXX.
(X = A,B,C,D KEY, XXXX = ALL MODIFICATIONS)
- 9. FOR ALL ID MARKINGS SURROUNDING THE PART, ORIENTATION IS SHOWN FOR REFERENCE ONLY AND DOES NOT AFFECT FUNCTIONALITY, PROVIDED THE MARKINGS ARE IN THE CORRECT POSITION. SIZE AND LOCATION ARE APPROXIMATE, AS SHOWN.
- 8. ADDITIONAL MARKING PER NOTE 4 AND 7 EXCLUSIVELY FOR PARTS WITH CAPS PRODUCED IN CHINA.
- 7. XXXX IDENTIFIES THE MODIFICATION NUMBER, IF APPLICABLE. EXAMPLE: "E003" FOR DT04-2P-E003, OR BLANK FOR DT04-2P.
- 6. FOR CONTACTS AND WIRE PERFORMANCE AND APPLICATION CHARACTERISTICS SEE CUSTOMER DRAWING 0425-015-0000.
- 5. "E" IDENTIFIES E-SEAL.

NOTES: UNLESS OTHERWISE SPECIFIED

THIS DRAWING IS A CONTROLLED DOCUMENT. OWN: JAIME C. APOSTOL, 16 JUN 2016. CHK: D. MEYER, 16 JUN 2016. APVD: D. MEYER, 16 JUN 2016.

DIMENSIONS: i.n. [mm]

TOLERANCES UNLESS OTHERWISE SPECIFIED:

0 PLC	±
1 PLC	±
2 PLC	±
3 PLC	±
4 PLC	± 0.25 (0.64)

ANGLES: 40° 30' 0"

MATERIAL: PA66 GF15

FINISH: 3

TE Connectivity

NAME: 2 WAY RECEPTACLE, STANDARD SEAL EXTRA THIN SEAL, SHORT CAP AND LONG CAP, DT SERIES

SIZE: A1

CAGE CODE: 4AFU8

DRAWING NO: DT04-2P-XXXX

SCALE: 3:1

SHEET: 1 OF 1

REV: D4

LOC	DIST	REV	DESCRIPTION	DATE	OWN	APVD
		D1	REVISED PER PCN-24-210159	22MAY2024	PS	CB
		D2	REVISED PER PCN-24-226098	18NOV2024	PS	CB
		D4	REVISED PER PCN-25-254987	08SEP2025	AP	AJ

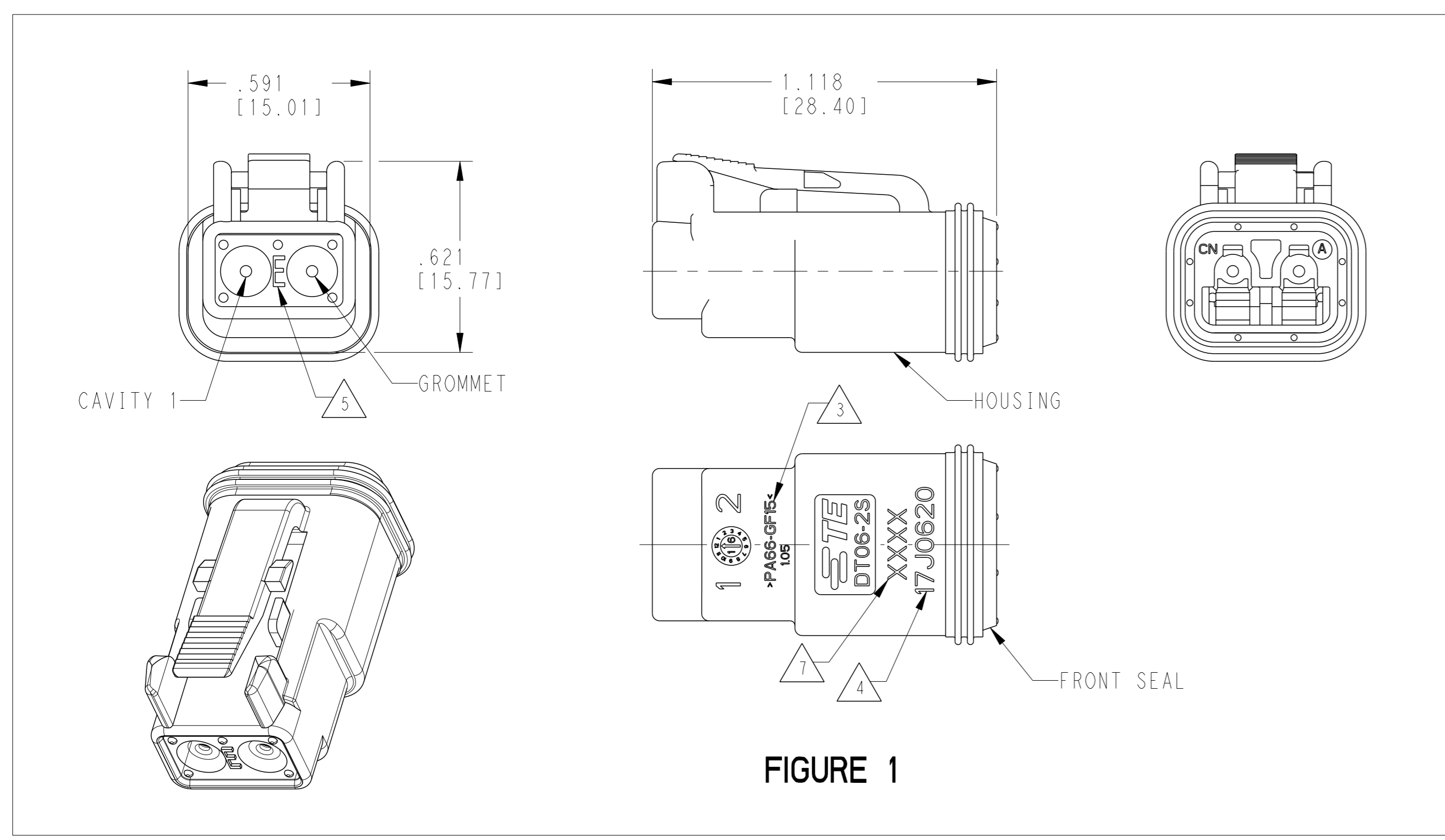


FIGURE 1

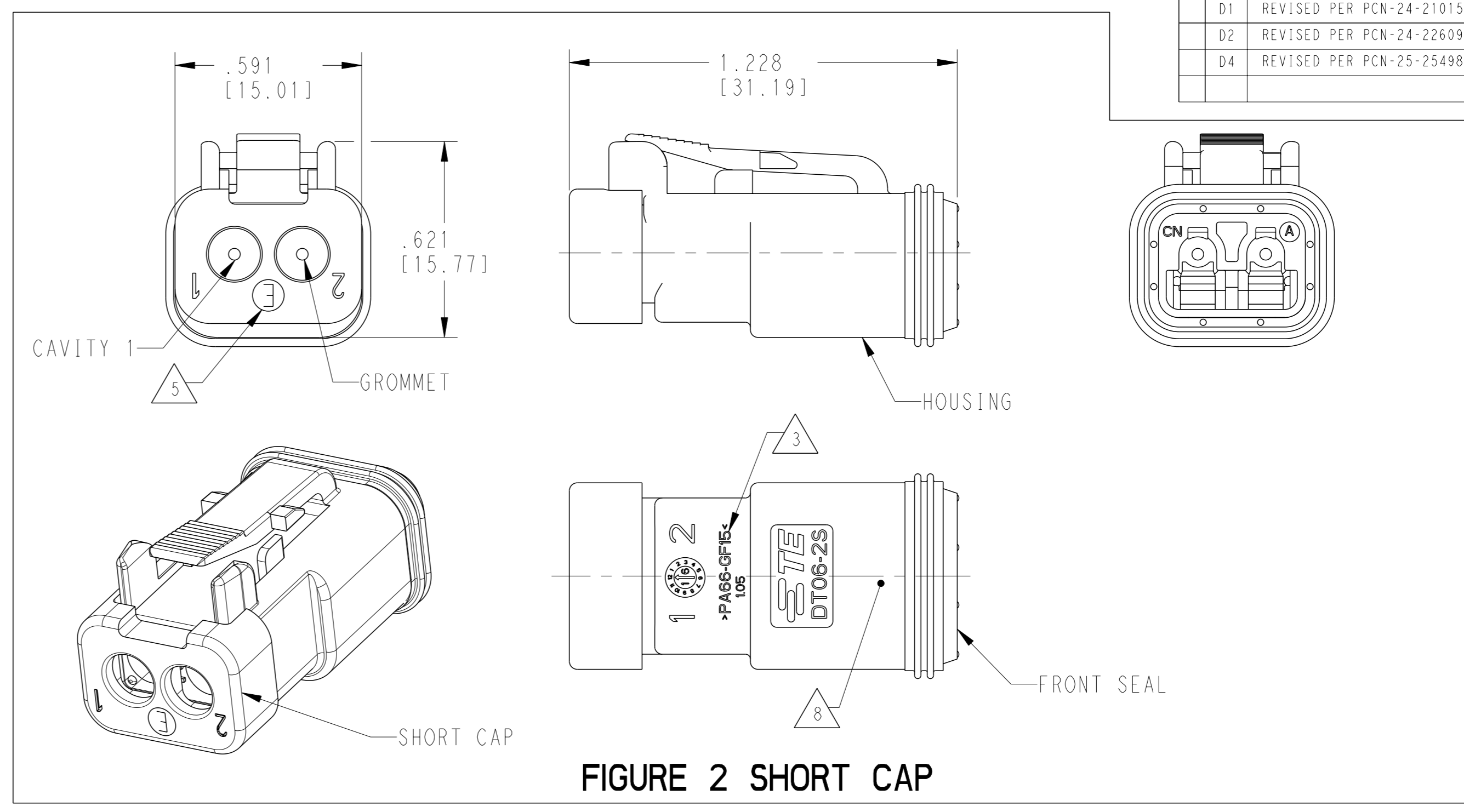


FIGURE 2 SHORT CAP

CONTACT SIZE	WIRE RANGE	INSULATION OD SEALING RANGE	SEAL IDENTIFICATION
16	14-20 AWG [2.5-0.5mm ²]	.088-.145 [2.23-3.68]	STANDARD SEAL
		.053-.120 [1.35-3.05]	EXTRA THIN SEAL E-SEAL

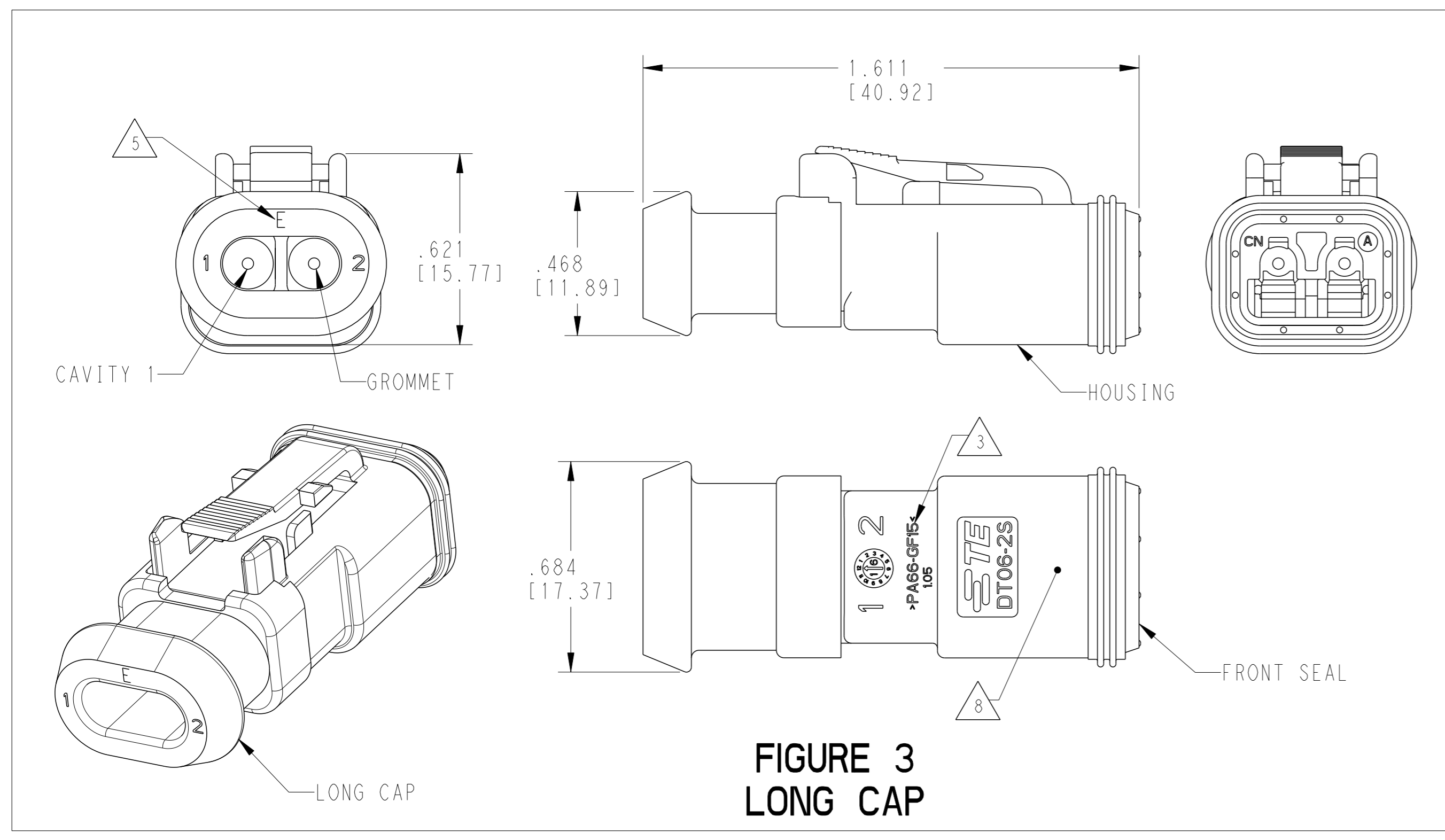


FIGURE 3 LONG CAP

TE INTERNAL PART NUMBER	DEUTSCH PART NUMBER	PN REV	HOUSING COLOR	STANDARD SEAL GROMMET	EXTRA THIN SEAL E-SEAL GROMMET	BLOCKED SEAL	SHORT CAP	LONG CAP	FIGURE
DT06-2S	DT06-2S	A	GREY	X					1
DT06-2S-C015	DT06-2S-C015	F	GREY		X				1
DT06-2S-C017	DT06-2S-C017	B	GREY			X	X		2
DT06-2S-CE01	DT06-2S-CE01	E	GREY		X		X		2
DT06-2S-CE03	DT06-2S-CE03	B	BLACK		X		X	X	2
DT06-2S-CE04	DT06-2S-CE04	C	GREY		X			X	3
DT06-2S-CE05	DT06-2S-CE05	B	BLACK		X		X		2
DT06-2S-CE06	DT06-2S-CE06	B	BLACK		X				1
DT06-2S-CE13	DT06-2S-CE13	B	BLACK		X			X	3
DT06-2S-E003	DT06-2S-E003	B	GREY	X			X		2
DT06-2S-E004	DT06-2S-E004	A	BLACK	X					1
DT06-2S-E005	DT06-2S-E005	A	BLACK	X			X		2
DT06-2S-E008	DT06-2S-E008	B	GREY	X				X	3
DT06-2S-EP04	DT06-2S-EP04	C	GREY	X			X		2
DT06-2S-EP06	DT06-2S-EP06	B	BLACK	X			X		2
DT06-2S-EP11	DT06-2S-EP11	A	BLACK	X				X	3
DT06-2S-P004	DT06-2S-P004	A	GREY	X					1
DT06-2S-P012	DT06-2S-P012	A	BLACK	X					1
1-2448100-1	DT06-2S-TE09	A	BROWN		X				1
1-2448100-2	DT06-2S-TE03	A	GREEN		X				1
1-2448100-3	DT06-2S-TE07	A	BLUE		X				1
2-2448100-1	DT06-2S-TN09	A	BROWN	X					1
2-2448100-2	DT06-2S-TN03	A	GREEN	X					1
2-2448100-3	DT06-2S-TN07	A	BLUE	X					1
3-2448100-1	DT06-2S-EE18	A	BROWN		X		X		2
3-2448100-2	DT06-2S-EE16	A	GREEN		X		X		2
3-2448100-3	DT06-2S-EE17	A	BLUE		X		X		2
4-2448100-1	DT06-2S-EE14	A	BROWN	X			X		2
4-2448100-2	DT06-2S-EE13	A	GREEN	X			X		2
4-2448100-3	DT06-2S-EE06	A	BLUE	X			X		2

- 3 MATERIAL: HOUSING: PA66 GF15, SEE TABLE FOR COLOR SHORT, LONG CAP: PA66 GF15, BLACK GROMMET: E-SEAL VMQ (BURNT RED) N-SEAL VMQ (RED-ORANGE) FRONT SEAL: VMQ (RED-ORANGE).
- 2. THIS PLUG MATES WITH DT04-2P-XXXX RECEPTACLE. (XXXX = ALL MODIFICATIONS)
- 1. SECONDARY WEDGE LOCK SOLD SEPARATELY: W2SX-XXXX. (X = A,B,C,D KEY, XXXX = ALL MODIFICATIONS) W2S OR W2S-P012 MAY BE USED WITH THESE PLUGS, W2S-P012 IS RECOMMENDED.

- 7 XXXX IDENTIFIES THE MODIFICATION NUMBER, IF APPLICABLE. EXAMPLE: "E003" FOR DT06-2S-E003, OR BLANK FOR DT06-2S.
- 6. FOR CONTACTS AND WIRE PERFORMANCE AND APPLICATION CHARACTERISTICS SEE CUSTOMER DRAWING 0425-015-0000.
- 5 "E" IDENTIFIES E-SEAL.
- 4 DATE CODE: IDENTIFIES THE YEAR, MONTH, DAY AND HOUR OF ASSEMBLY. YEAR: FIRST AND SECOND DIGITS. (17 = 2017) MONTH: THIRD DIGIT, EXCLUDING 1. A = JAN, B = FEB, C = MARCH ... (K = OCTOBER) DAY: FOURTH AND FIFTH DIGITS (14 = 14th DAY) HOUR: SIXTH AND SEVENTH DIGITS (11 = 11AM)

11. FOR ALL ID MARKINGS SURROUNDING THE PART, ORIENTATION IS SHOWN FOR REFERENCE ONLY AND DOES NOT AFFECT FUNCTIONALITY PROVIDED THE MARKINGS ARE IN THE CORRECT POSITION. SIZE AND LOCATION ARE APPROXIMATE, AS SHOWN.

- 10 CONNECTORS WITH A BLOCKED SEAL INCLUDE THE W2S-P012 WEDGE INSTALLED AS PART OF THE PLUG ASSEMBLY.
- 9 ALTERNATE CONSTRUCTION EXCLUSIVELY FOR PARTS PRODUCED IN CHINA.
- 8 ADDITIONAL MARKING PER NOTE 4 AND 7 EXCLUSIVELY FOR PARTS WITH CAPS PRODUCED IN CHINA.

THIS DRAWING IS A CONTROLLED DOCUMENT. DWG: J. JAIME C. APOSTOL 24OCT2016 CHK: D. MEYER 24OCT2016 APVD: D. MEYER 24OCT2016 NAME: 2 WAY PLUG, STANDARD SEAL EXTRA THIN SEAL SHORT CAP AND LONG CAP, DT SERIES

TE Connectivity

SIZE: A1 CAGE CODE: 114-151009 DRAWING NO: 108-151009 APPLICATION SPEC: 114-151009 WEIGHT: 0.025 (0.641) ANGLE: 40° 30' 00" FINISH: 3

CUSTOMER DRAWING SCALE: 3:1 SHEET: 1 OF 1 REV: D4

REVISIONS

P	LTR	DESCRIPTION	DATE	DWN	APVD
	C	REVISED PER PCN E-18-001206	24JAN2018	JA	DM
	CI	REVISED PER PCN E-19-018080	19NOV2019	MK	DM



TE INTERNAL PN	DEUTSCH PN	PLATING
0460-202-1631	0460-202-1631	GOLD
0460-202-16141	0460-202-16141	NICKEL

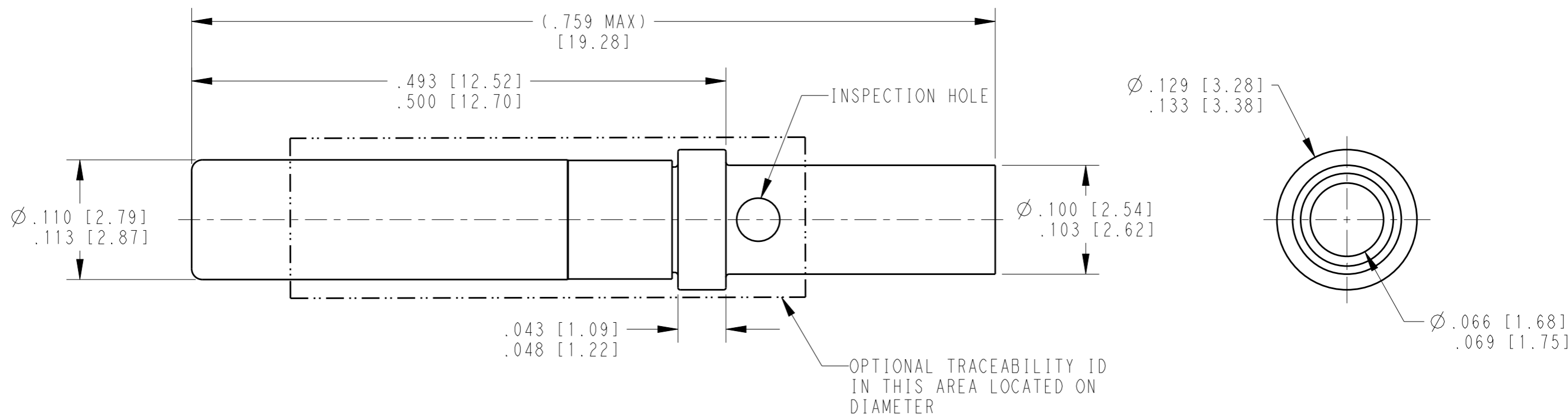
(CI) I. SEE APPLICATION SPECIFICATION 114-151004 FOR CRIMP TOOLS AND WIRE RANGE

NOTES:


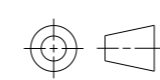
THIS DRAWING IS A CONTROLLED DOCUMENT.		DWN D. MEYER 18DEC1997	TE TE Connectivity	
DIMENSIONS: INCHES [mm]		CHK VLADIMIR TOMSA 25MAY1999		
TOLERANCES UNLESS OTHERWISE SPECIFIED:		APVD R. REED 25MAY1999	NAME CONTACT PIN SIZE 16	
0 PLC ±		PRODUCT SPEC 108-151004	SIZE A3	
1 PLC ±		APPLICATION SPEC 114-151004	CAGE CODE 4AFU8	DRAWING NO 0460-202-16XX
2 PLC ±		MATERIAL	RESTRICTED TO	
3 PLC ±		FINISH	SCALE 10:1	SHEET 1 OF 1
4 PLC ±		WEIGHT 0.55g	REV CI	
ANGLES ±		CUSTOMER DRAWING		

THIS DRAWING IS UNPUBLISHED
 RELEASED FOR PUBLICATION 2018
 © COPYRIGHT 1997 BY TE CONNECTIVITY ALL RIGHTS RESERVED.

REVISIONS					
P	LTR	DESCRIPTION	DATE	DWN	APVD
	NC	NEW RELEASE PER E.O. P15506	23DEC1997	DM	RDR
	A	RELEASED PER E.O. P15996	25MAY1999	DM	RDR
	B	RELEASED PER PCN E-18-001206	24JAN2018	JA	DM
	B1	REVISED PER PCN E-19-018080	21NOV2019	MK	DM



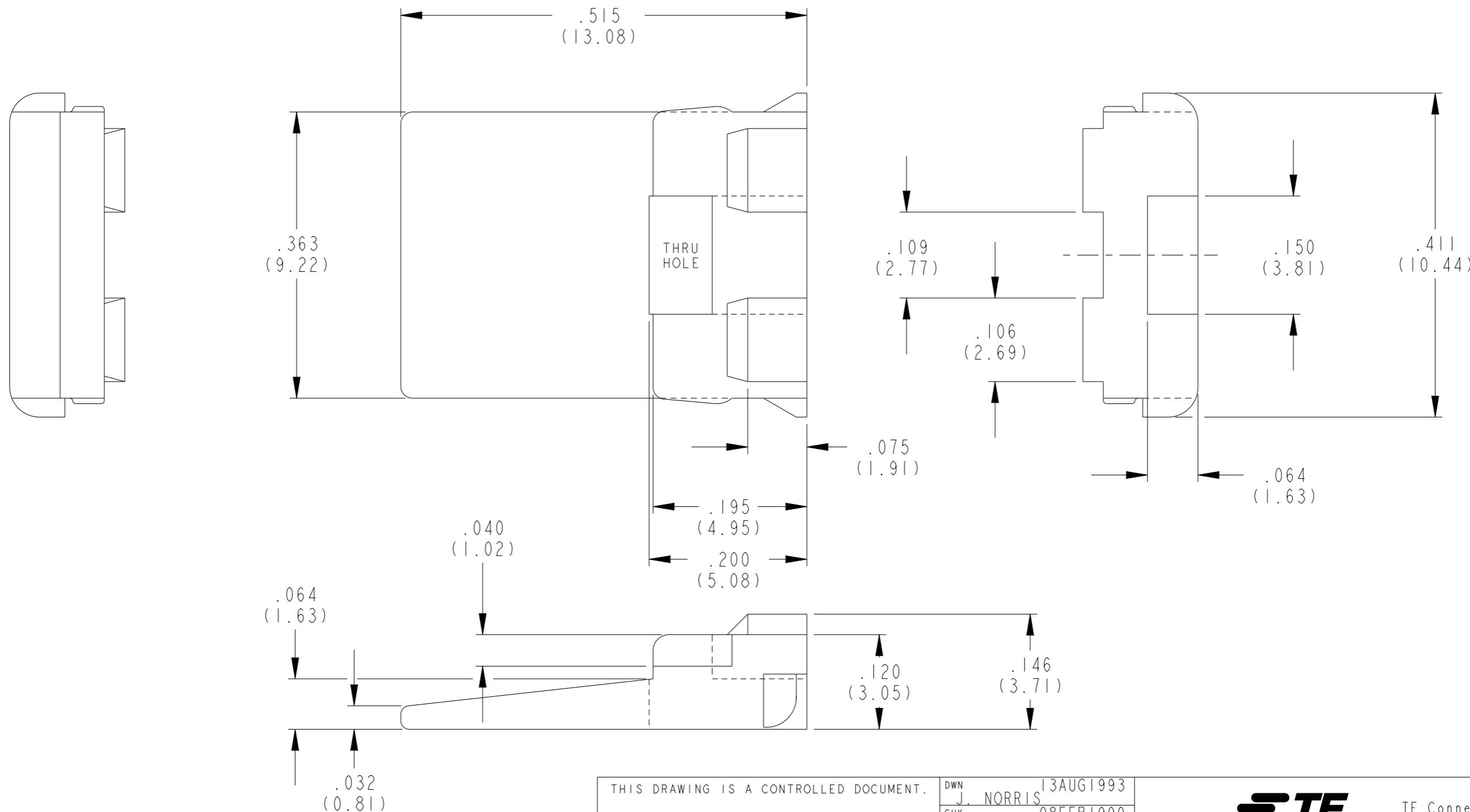
TE INTERNAL PN	DEUTSCH PN	PLATING
0462-201-1631	0462-201-1631	GOLD
0462-201-16141	0462-201-16141	NICKEL

THIS DRAWING IS A CONTROLLED DOCUMENT.		DWN D. MEYER 17DEC1997	 TE Connectivity		
DIMENSIONS: INCHES [mm]		CHK V. TOMSA 25MAY1999			
TOLERANCES UNLESS OTHERWISE SPECIFIED:		APVD R. REED 25MAY1999	NAME CONTACT SOCKET SIZE 16		
		PRODUCT SPEC 108-151004	RESTRICTED TO		
MATERIAL		APPLICATION SPEC 114-151004	SIZE A3	CAGE CODE 4AFU8	DRAWING NO C=0462-201-16XX
FINISH		WEIGHT 0.60g	SCALE 10:1		
		CUSTOMER DRAWING	SHEET 1 OF 1		
			REV B1		

NOTES:
 1. SEE APPLICATION SPECIFICATION 114-151004 FOR CRIMP TOOLS AND WIRE RANGE.

REVISIONS

P	LTR	DESCRIPTION	DATE	DWN	APVD
	H	REVISED PER PCN-23-190134	29SEP2023	GB	CB



1. MATES WITH DT04-2P-XXXX.
(XXXX = ALL MODIFICATIONS)

THIS DRAWING IS A CONTROLLED DOCUMENT.		DWN J. NORRIS 13AUG1993			
		CHK - 08FEB1999			
DIMENSIONS: IN [mm]		APVD R. REED 15FEB1999	NAME WEDGE LOCK FOR 2 PIN RECT. HOUSING DT SERIES		
		PRODUCT SPEC 108-151009	RESTRICTED TO		
TOLERANCES UNLESS OTHERWISE SPECIFIED: 0 PLC ± 1 PLC ± 2 PLC ± 3 PLC ±.025 [0.64] 4 PLC ± ANGLES ±		APPLICATION SPEC 114-151009	SIZE A3	CAGE CODE 00779	DRAWING NO G=W2P
MATERIAL PBT GF30 GREEN		FINISH -	WEIGHT -	SCALE 1:1	
CUSTOMER DRAWING; RESTRICTED CUSTOMER			SHEET 1	OF 1	REV H

4

3

2

1

© 2023 TE Connectivity. All Rights Reserved.

REVISIONS

P	LTR	DESCRIPTION	DATE	DWN	APVD
	E	REVISED PER PCN-23-190134	29SEP2023	GB	CB

Side view of the wedge lock. Dimension: .760 [19.30]

Front view of the wedge lock. Dimensions: .456 [11.58] and .591 [15.01]

CUTOUT FEATURE OPTIONAL 2PL

Detail view of the wedge lock. Dimension: .050 [1.27]

THIS DRAWING IS A CONTROLLED DOCUMENT.		DWN DE KAY	04OCT1989		
DIMENSIONS: INCHES [mm]		CHK -	-		
TOLERANCES UNLESS OTHERWISE SPECIFIED:		APVD -	-	NAME WEDGE LOCK FOR 2 CONTACT PLUG DT SERIES	
		PRODUCT SPEC 108-151009	-		
0 PLC ± 1 PLC ± 2 PLC ± 3 PLC ±.025 [0.64] 4 PLC ± ANGLES ±		APPLICATION SPEC 114-151009	-	SIZE A3	CAGE CODE 00779
MATERIAL PBT GF30 ORANGE		FINISH -	-	DRAWING NO C=W2S	RESTRICTED TO -
CUSTOMER DRAWING; RESTRICTED CUSTOMER			SCALE 3:1	SHEET 1 OF 1	REV E

1. W2S WEDGE USED WITH DT06-2S-XXXX PLUG.
(XXXX = ALL MODIFICATIONS)

1470-19 (3/13)