

REV	DATE	DESCRIPTION	BY	CHK	APPV
D	05FEB2024	REVISED PER PCN-23-192205	RK	CB	
D1	21MAY2024	REVISED PER PCN-24-210159	PS	CB	
D2	17SEP2024	REVISED PER PCN-24-220917	PS	CB	
D3	08SEP2025	REVISED PER PCN-25-254987	AP	AJ	

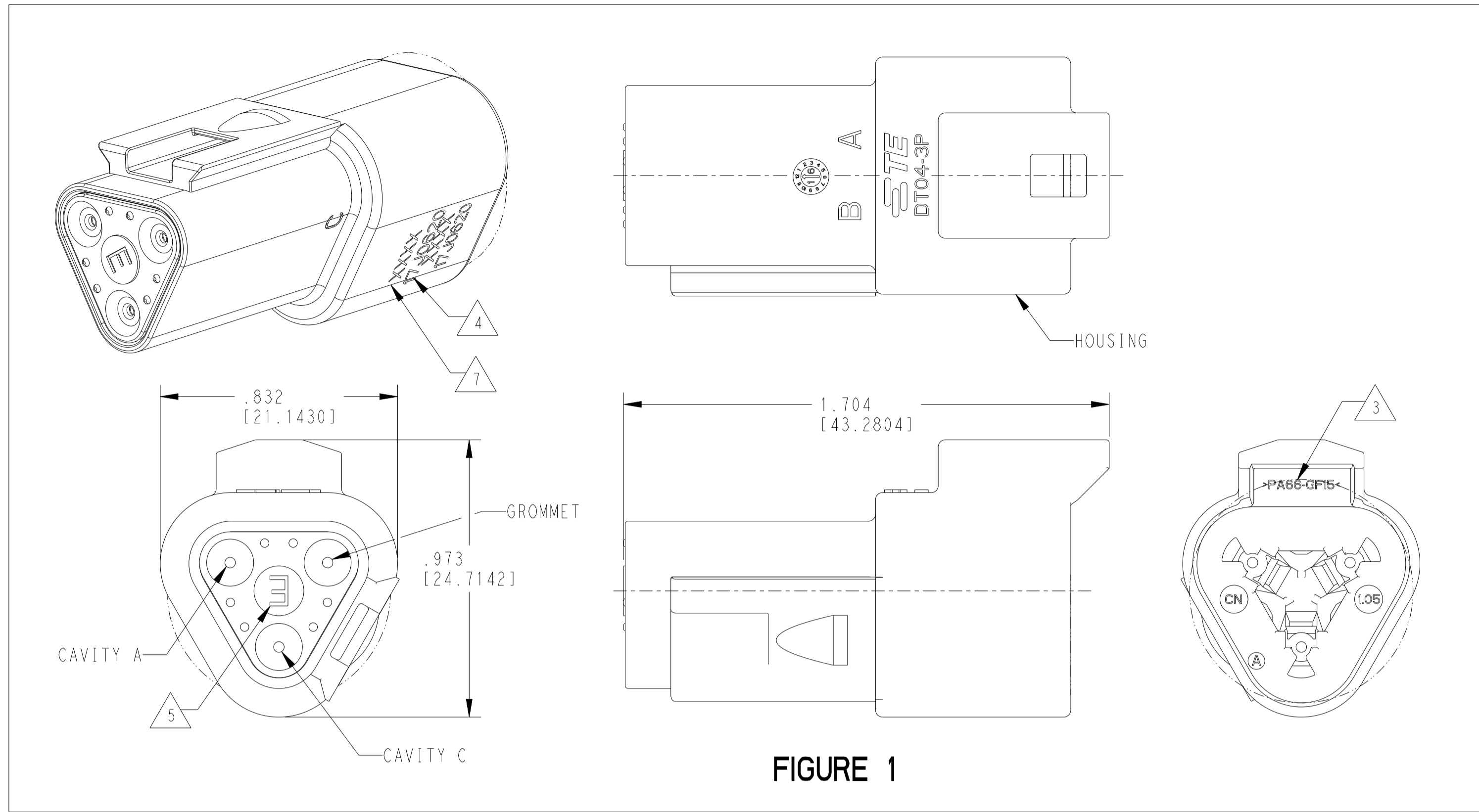


FIGURE 1

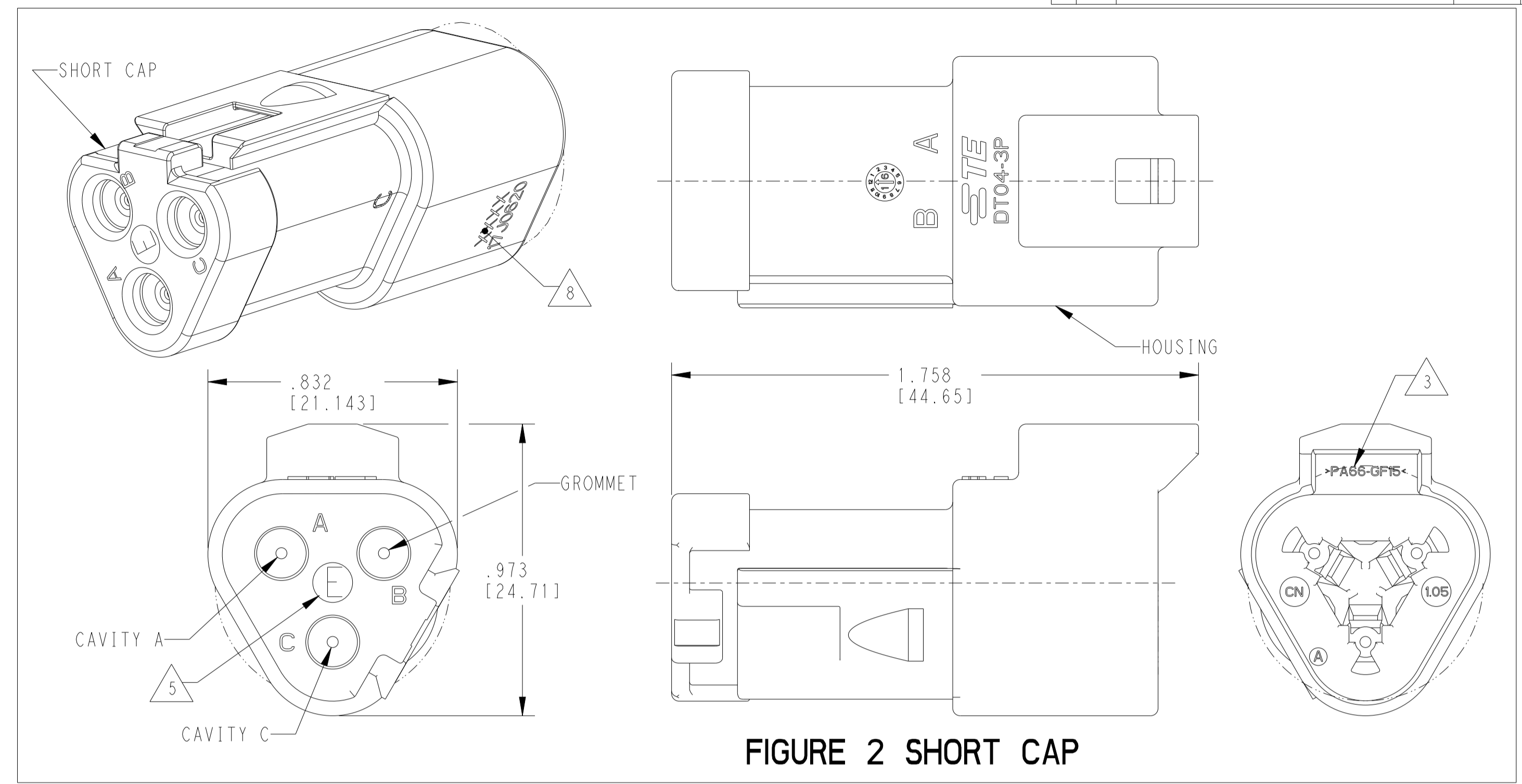


FIGURE 2 SHORT CAP

CONTACT SIZE	WIRE RANGE	INSULATION OD SEALING RANGE	SEAL IDENTIFICATION
16	14-20 AWG [2.5-0.5mm ²]	.088-.145 [2.23-3.68]	STANDARD SEAL
		.053-.120 [1.35-3.05]	EXTRA THIN SEAL E-SEAL

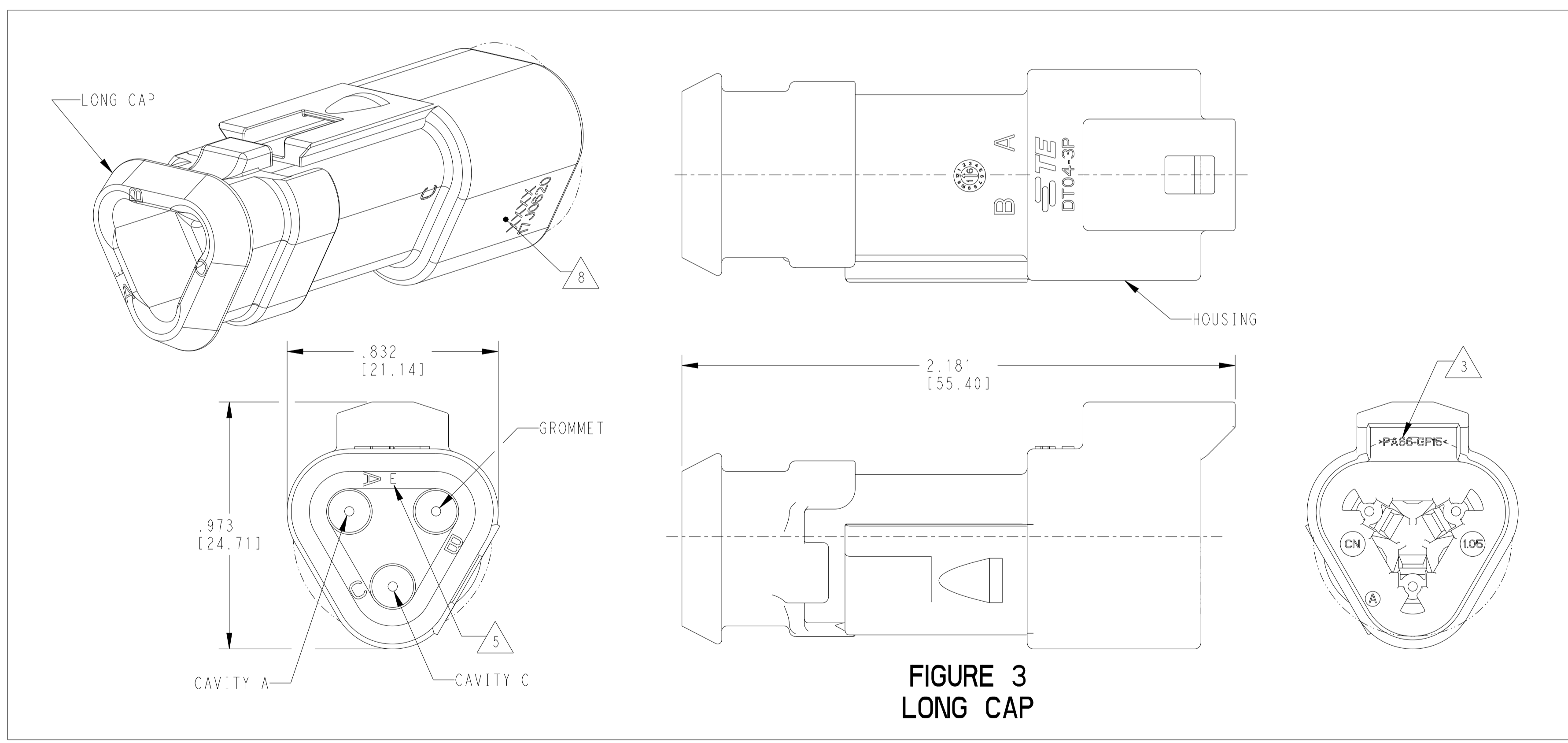


FIGURE 3
LONG CAP

TE INTERNAL PART NUMBER	DEUTSCH PART NUMBER	PN REV	HOUSING COLOR	STANDARD SEAL GROMMET	EXTRA THIN SEAL E-SEAL GROMMET	BLOCKED SEAL	SHORT CAP	LONG CAP	FIGURE
DT04-3P	DT04-3P	A	GREY	X					1
DT04-3P-C015	DT04-3P-C015	B	GREY		X				1
DT04-3P-C017	DT04-3P-C017	B	GREY			X	X		2
DT04-3P-CE01	DT04-3P-CE01	C	GREY		X		X		2
DT04-3P-CE04	DT04-3P-CE04	C	GREY		X			X	3
DT04-3P-E003	DT04-3P-E003	B	GREY	X			X		2
DT04-3P-E008	DT04-3P-E008	B	GREY	X				X	3
DT04-3P-EP04	DT04-3P-EP04	C	GREY	X			X		2
DT04-3P-P004	DT04-3P-P004	B	GREY	X					1
DT04-3P-CE02	DT04-3P-CE02	B	BLACK		X				1
DT04-3P-CE03	DT04-3P-CE03	B	BLACK		X		X		2
DT04-3P-CE09	DT04-3P-CE09	B	BLACK		X			X	3
DT04-3P-E004	DT04-3P-E004	A	BLACK	X					1
DT04-3P-E005	DT04-3P-E005	A	BLACK	X			X		2
DT04-3P-EE01	DT04-3P-EE01	A	BLACK	X				X	3
1-2448110-1	DT04-3P-TE09	A	BROWN		X				1
1-2448110-2	DT04-3P-TE03	A	GREEN		X				1
1-2448110-3	DT04-3P-TE07	A	BLUE		X				1
2-2448110-1	DT04-3P-TN09	A	BROWN	X					1
2-2448110-2	DT04-3P-TN03	A	GREEN	X					1
2-2448110-3	DT04-3P-TN07	A	BLUE	X					1
3-2448110-1	DT04-3P-EE18	A	BROWN		X		X		2
3-2448110-2	DT04-3P-EE16	A	GREEN		X		X		2
3-2448110-3	DT04-3P-EE17	A	BLUE		X		X		2
4-2448110-1	DT04-3P-EE14	A	BROWN	X			X		2
4-2448110-2	DT04-3P-EE13	A	GREEN	X			X		2
4-2448110-3	DT04-3P-EE06	A	BLUE	X			X		2

△ MATERIAL: HOUSING: PA66 GF15, SEE TABLE FOR COLOR
 SHORT, LONG CAP: PA66 GF15, BLACK
 GROMMET: VMQ N-SEAL: RED-ORANGE
 E-SEAL: BURNT RED
 BLOCKED: RED-ORANGE

2. THIS RECEPTACLE MATES WITH DT06-3S-XXXX PLUG.
 (XXXX = ALL MODIFICATIONS)
 1. SECONDARY WEDGE LOCK SOLD SEPARATELY: W3P-XXXX.
 (XXXX = ALL MODIFICATIONS)
 NOTES: UNLESS OTHERWISE SPECIFIED

△ 7 XXXX IDENTIFIES THE MODIFICATION NUMBER, IF APPLICABLE.
 EXAMPLE: "E003" FOR DT04-3P-E003,
 OR BLANK FOR DT04-3P.

6. FOR CONTACTS AND WIRE PERFORMANCE AND APPLICATION CHARACTERISTICS SEE CUSTOMER DRAWING 0425-015-0000.

△ 5 "E" IDENTIFIES E-SEAL.

△ 4 DATE CODE: IDENTIFIES THE YEAR, MONTH, DAY AND HOUR OF ASSEMBLY.
 YEAR: FIRST AND SECOND DIGITS. (17 = 2017)
 MONTH: THIRD DIGIT, EXCLUDING I. A = JAN, B = FEB,
 C = MARCH ... (K = OCTOBER)
 DAY: FOURTH AND FIFTH DIGITS (14 = 14th DAY)
 HOUR: SIXTH AND SEVENTH DIGITS (11 = 11AM)

9. FOR ALL ID MARKINGS SURROUNDING THE PART, ORIENTATION IS SHOWN FOR REFERENCE ONLY AND DOES AFFECT FUNCTIONALITY. PROVIDED THE MARKINGS ARE IN THE CORRECT POSITION. SIZE AND LOCATION ARE APPROXIMATE AS SHOWN.

△ 8 ADDITIONAL MARKING PER NOTE 4 AND 7 EXCLUSIVELY FOR PARTS WITH CAPS PRODUCED IN CHINA.

THIS DRAWING IS A CONTROLLED DOCUMENT. DWG: J. JAIME C. APOSTOL 12 JUL 2016
 CHK: D. MEYER 12 JUL 2016
 APPV: D. MEYER 12 JUL 2016

TE Connectivity

3 WAY RECEPTACLE, STANDARD SEAL
 EXTRA THIN SEAL, SHORT CAP AND
 LONG CAP, DT SERIES

SIZE: 114-151009
 CAGE CODE: 114-151009
 WEIGHT: 0.114g

SCALE: 3:1 SHEET 1 OF 1 REV D3

REVISONS		DATE	OWN	APVD
D2	REVISED PER PCN-24-218808	26AUG2024	AJ	CB
D3	REVISED PER PCN-24-226098	19NOV2024	PS	CB
D4	REVISED PER PCN-25-254987	08SEP2025	AP	AJ
D5	REVISED PER PCN-25-266370	06NOV2025	RT	EC

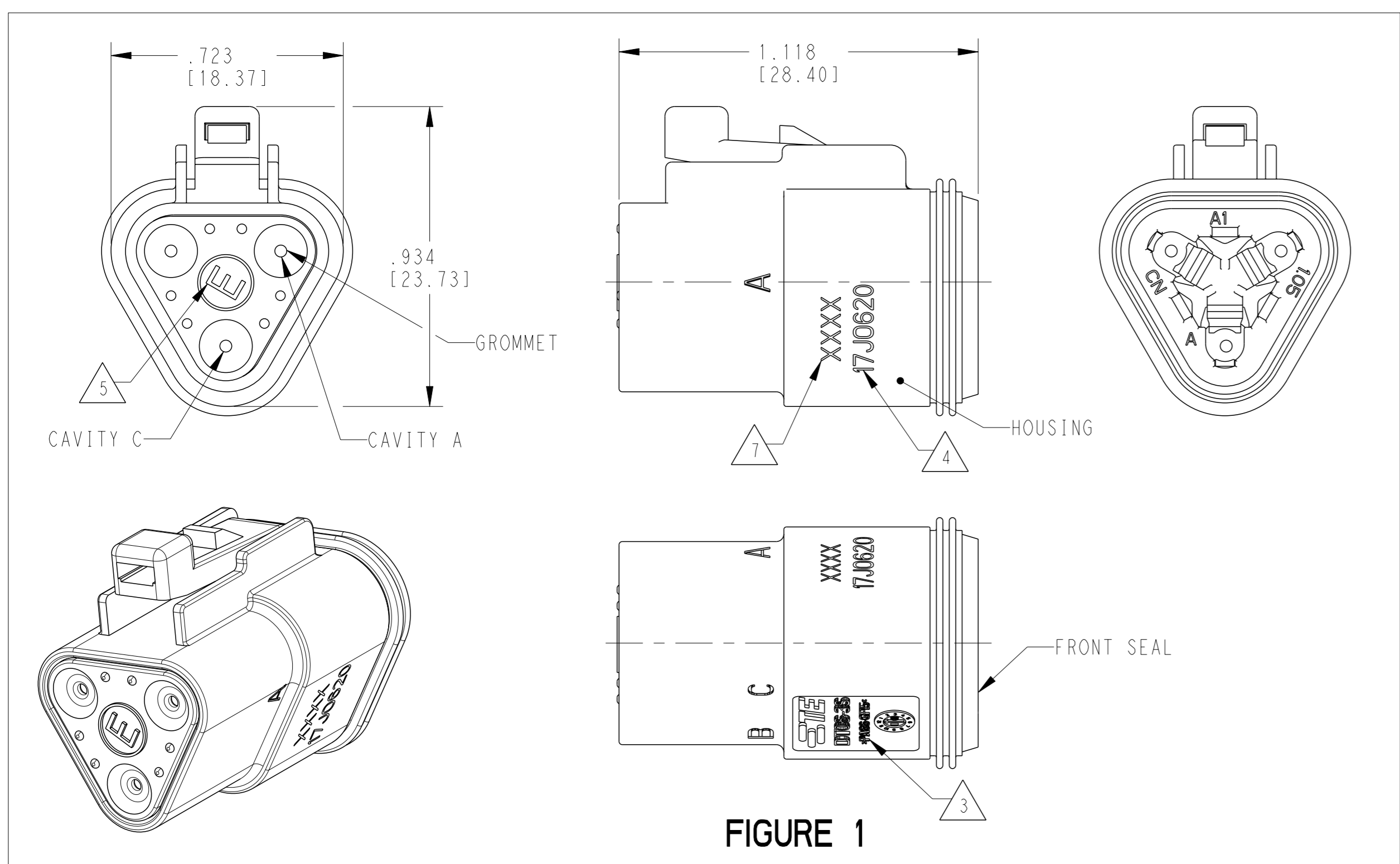


FIGURE 1

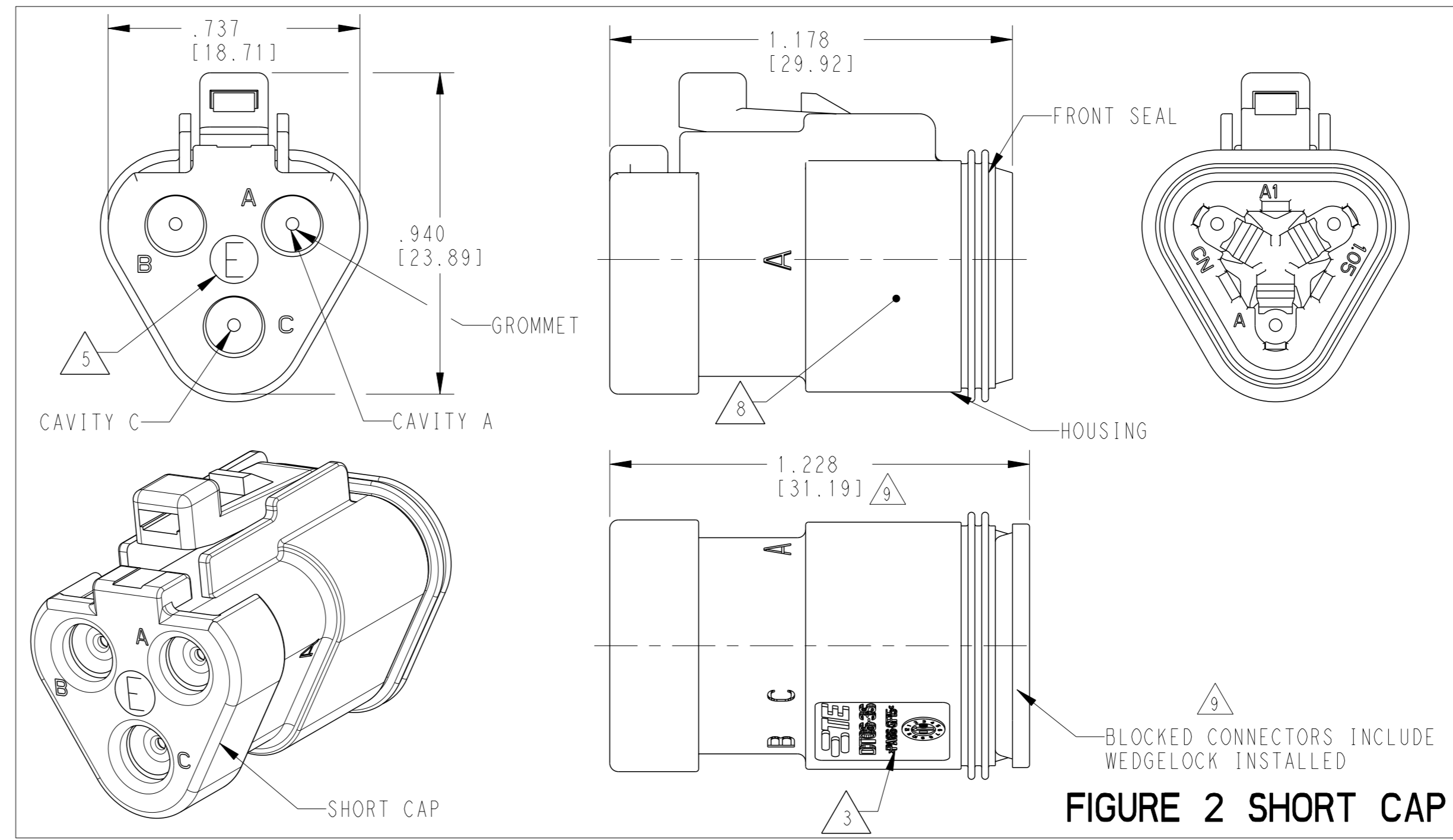


FIGURE 2 SHORT CAP

CONTACT SIZE	WIRE RANGE	INSULATION OD SEALING RANGE	SEAL IDENTIFICATION
16	14-20 AWG [2.5-0.5mm ²]	.088-.145 [2.23-3.68]	STANDARD SEAL
		.053-.120 [1.35-3.05]	EXTRA THIN SEAL E-SEAL

TE INTERNAL PART NUMBER	DEUTSCH PART NUMBER	PN REV	HOUSING COLOR	STANDARD SEAL GROMMET	EXTRA THIN SEAL E-SEAL GROMMET	BLOCKED SEAL	SHORT CAP	LONG CAP	FIGURE
DT06-3S	DT06-3S	A	GREY	X					1
DT06-3S-C015	DT06-3S-C015	B	GREY		X				1
DT06-3S-C017	DT06-3S-C017	B	GREY			X	X		2
DT06-3S-CE01	DT06-3S-CE01	D	GREY		X		X		2
DT06-3S-CE02	DT06-3S-CE02	B	BLACK		X				1
DT06-3S-CE04	DT06-3S-CE04	C	GREY		X			X	3
DT06-3S-CE05	DT06-3S-CE05	B	BLACK		X		X		2
DT06-3S-CE06	DT06-3S-CE06	B	BLACK		X				1
DT06-3S-CE13	DT06-3S-CE13	B	BLACK		X			X	3
DT06-3S-CP01	DT06-3S-CP01	A	BLACK			X	X		2
DT06-3S-E003	DT06-3S-E003	B	GREY	X			X		2
DT06-3S-E004	DT06-3S-E004	A	BLACK	X					1
DT06-3S-E005	DT06-3S-E005	A	BLACK	X			X		2
DT06-3S-E008	DT06-3S-E008	C	GREY	X				X	3
DT06-3S-EP04	DT06-3S-EP04	C	GREY	X			X		2
DT06-3S-EP06	DT06-3S-EP06	B	BLACK	X			X		2
DT06-3S-EP11	DT06-3S-EP11	B	BLACK	X				X	3
DT06-3S-P004	DT06-3S-P004	B	GREY	X					1
DT06-3S-P012	DT06-3S-P012	A	BLACK	X					1
1-2448102-1	DT06-3S-TE09	A	BROWN		X				1
1-2448102-2	DT06-3S-TE03	A	GREEN		X				1
1-2448102-3	DT06-3S-TE07	A	BLUE		X				1
2-2448102-1	DT06-3S-TN09	A	BROWN	X					1
2-2448102-2	DT06-3S-TN03	A	GREEN	X					1
2-2448102-3	DT06-3S-TN07	A	BLUE	X					1
3-2448102-1	DT06-3S-EE18	A	BROWN		X		X		2
3-2448102-2	DT06-3S-EE16	A	GREEN		X		X		2
3-2448102-3	DT06-3S-EE17	A	BLUE		X		X		2
4-2448102-1	DT06-3S-EE14	A	BROWN	X			X		2
4-2448102-2	DT06-3S-EE13	A	GREEN	X			X		2
4-2448102-3	DT06-3S-EE06	A	BLUE	X			X		2

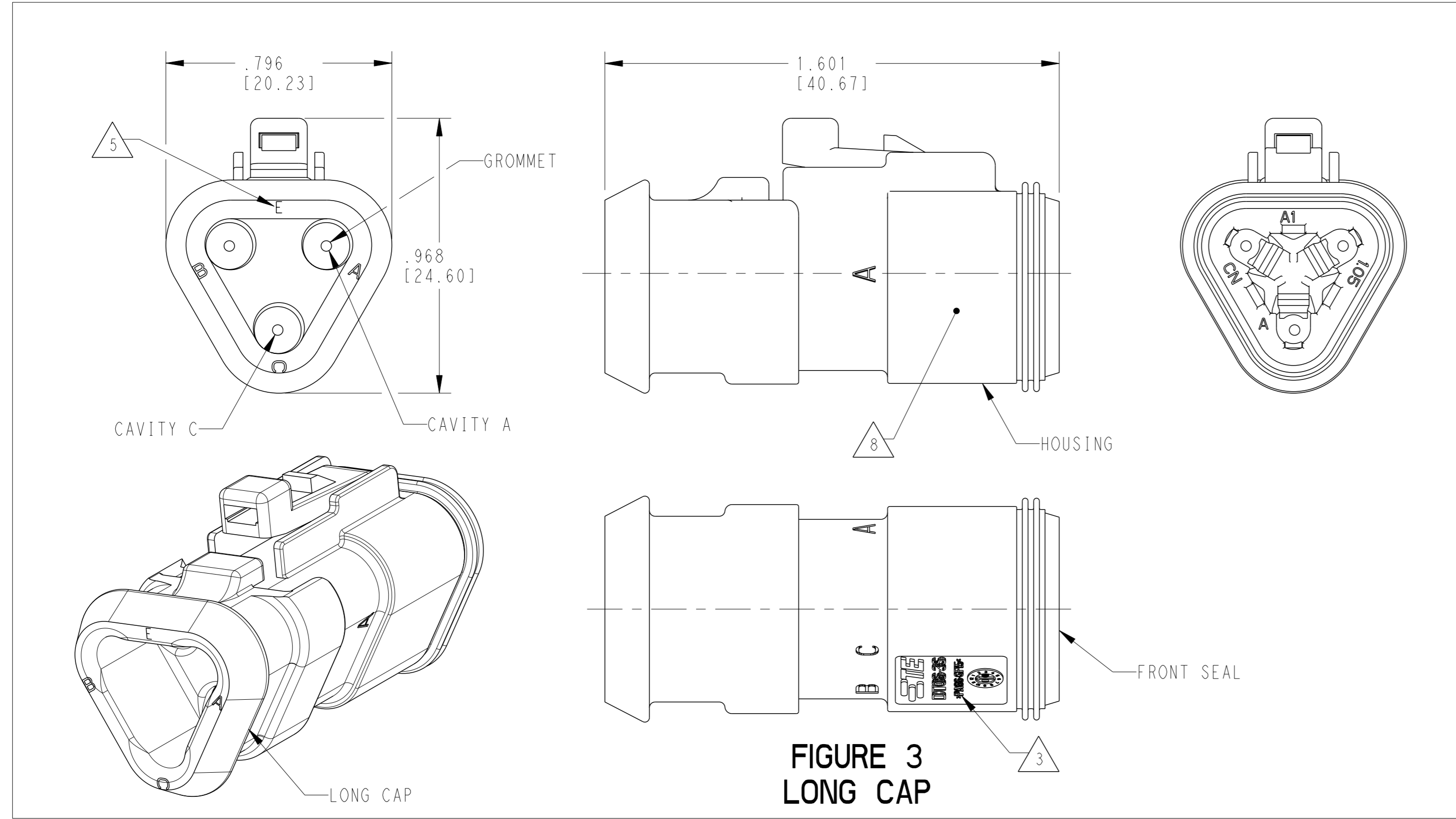


FIGURE 3 LONG CAP

- 3 MATERIAL: HOUSING: PA66 GF15, SEE TABLE FOR COLOR SHORT, LONG CAP: PA66 GF15, BLACK GROMMET: E-SEAL VMO (BURNT RED) N-SEAL VMO (RED-ORANGE) FRONT SEAL: VMO (RED-ORANGE)
- 2. THIS PLUG MATES WITH DT04-3P-XXXX PLUG. (XXXX = ALL MODIFICATIONS)
- 1. SECONDARY WEDGE LOCK SOLD SEPARATELY: W3S-XXXX. (XXXX = ALL MODIFICATIONS) W3S OR W3S-P012 MAY BE USED WITH THESE PLUGS, W3S-P012 IS RECOMMENDED.

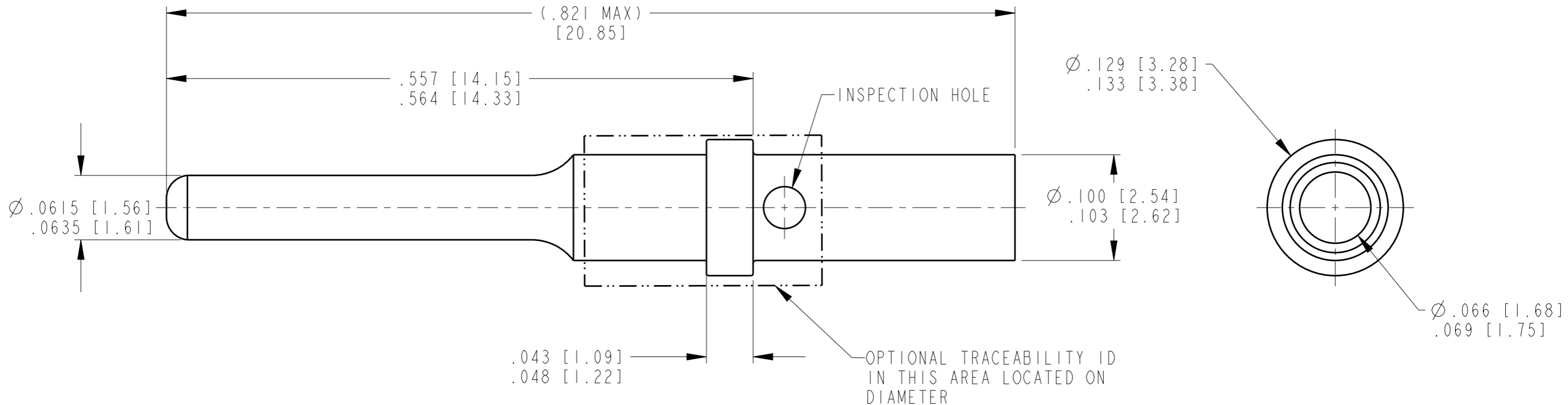
- 7 XXXX IDENTIFIES THE MODIFICATION NUMBER, IF APPLICABLE. EXAMPLE: "E003" FOR DT06-3S-E003, OR BLANK FOR DT06-3S.
- 6. FOR CONTACTS AND WIRE PERFORMANCE AND APPLICATION CHARACTERISTICS SEE CUSTOMER DRAWING 0425-015-0000.
- 5 "E" IDENTIFIES E-SEAL.
- 4 DATE CODE: IDENTIFIES THE YEAR, MONTH, DAY AND HOUR OF ASSEMBLY. YEAR: FIRST AND SECOND DIGITS. (17 = 2017) MONTH: THIRD DIGIT, EXCLUDING 1. A = JAN, B = FEB, C = MARCH ... (K = OCTOBER) DAY: FOURTH AND FIFTH DIGITS (14 = 14th DAY) HOUR: SIXTH AND SEVENTH DIGITS (11 = 11AM)

- 10. FOR ALL ID MARKINGS SURROUNDING THE PART, ORIENTATION IS SHOWN FOR REFERENCE ONLY AND DOES NOT AFFECT FUNCTIONALITY, PROVIDED THE MARKINGS ARE IN THE CORRECT POSITION. SIZE AND LOCATION ARE APPROXIMATE, AS SHOWN.
- 9 CONNECTORS WITH A BLOCKED SEAL INCLUDE THE W3S-P012 WEDGE INSTALLED AS PART OF THE PLUG ASSEMBLY.
- 8 ADDITIONAL MARKING PER NOTE 4 AND 7 EXCLUSIVELY FOR PARTS WITH CAPS PRODUCED IN CHINA.

THIS DRAWING IS A CONTROLLED DOCUMENT. OWN: JAIME C. APOSTOL 07NOV2016. CHK: R. MESSENGER 07NOV2016. APVD: D. MEYER 07NOV2016. NAME: 3 WAY PLUG, STANDARD SEAL, EXTRA THIN SEAL, SHORT CAP AND LONG CAP, DT SERIES. DIMENSIONS: in. [mm]. TOLERANCES UNLESS OTHERWISE SPECIFIED: 0 PLC ±, 1 PLC ±, 2 PLC ±, 3 PLC ±, 4 PLC ±. MATERIAL: FINISH: 40° 30' 0". CUSTOMER DRAWING. SCALE: 3:1. SHEET: 1 OF 1. REV: D5.

THIS DRAWING IS UNPUBLISHED
 RELEASED FOR PUBLICATION 2017
 © COPYRIGHT 1997 BY TE CONNECTIVITY ALL RIGHTS RESERVED.

REVISIONS					
P	LTR	DESCRIPTION	DATE	DWN	APVD
	C	REVISED PER PCN E-18-001206	24JAN2018	JA	DM
	CI	REVISED PER PCN E-19-018080	19NOV2019	MK	DM



TE INTERNAL PN	DEUTSCH PN	PLATING
0460-202-1631	0460-202-1631	GOLD
0460-202-16141	0460-202-16141	NICKEL

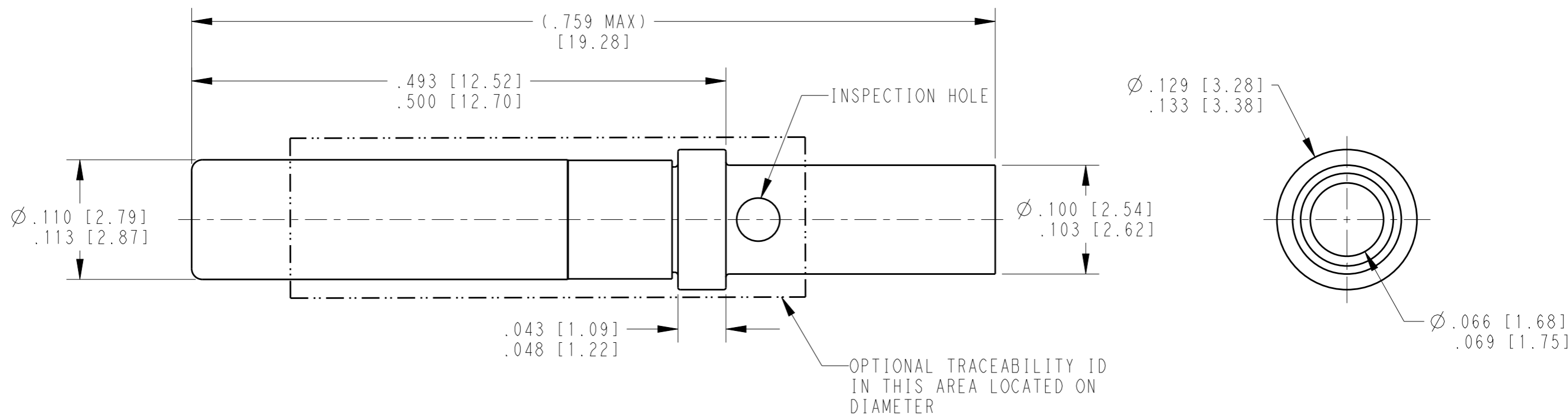
(CI) I. SEE APPLICATION SPECIFICATION 114-151004 FOR CRIMP TOOLS AND WIRE RANGE

NOTES:

THIS DRAWING IS A CONTROLLED DOCUMENT.		DWN D. MEYER 18DEC1997														
DIMENSIONS: INCHES [mm]		CHK VLADIMIR TOMSA 25MAY1999														
TOLERANCES UNLESS OTHERWISE SPECIFIED:		APVD R. REED 25MAY1999	NAME CONTACT PIN SIZE 16													
<table border="0"> <tr><td>0 PLC</td><td>±</td></tr> <tr><td>1 PLC</td><td>±</td></tr> <tr><td>2 PLC</td><td>±</td></tr> <tr><td>3 PLC</td><td>±</td></tr> <tr><td>4 PLC</td><td>±</td></tr> <tr><td>ANGLES</td><td>±</td></tr> </table>		0 PLC	±	1 PLC	±	2 PLC	±	3 PLC	±	4 PLC	±	ANGLES	±	PRODUCT SPEC 108-151004	SIZE A3	
0 PLC	±															
1 PLC	±															
2 PLC	±															
3 PLC	±															
4 PLC	±															
ANGLES	±															
MATERIAL		APPLICATION SPEC 114-151004	CAGE CODE 4AFU8	DRAWING NO 0460-202-16XX												
FINISH		WEIGHT 0.55g	RESTRICTED TO													
CUSTOMER DRAWING			SCALE 10:1	SHEET 1 OF 1												
			REV CI													

REVISIONS

P	LTR	DESCRIPTION	DATE	DWN	APVD
	NC	NEW RELEASE PER E.O. P15506	23DEC1997	DM	RDR
	A	RELEASED PER E.O. P15996	25MAY1999	DM	RDR
	B	RELEASED PER PCN E-18-001206	24JAN2018	JA	DM
	B1	REVISED PER PCN E-19-018080	21NOV2019	MK	DM



TE INTERNAL PN	DEUTSCH PN	PLATING
0462-201-1631	0462-201-1631	GOLD
0462-201-16141	0462-201-16141	NICKEL

THIS DRAWING IS A CONTROLLED DOCUMENT.		DWN D. MEYER 17DEC1997	STE TE Connectivity	
DIMENSIONS: INCHES [mm]		CHK V. TOMSA 25MAY1999		
TOLERANCES UNLESS OTHERWISE SPECIFIED:		APVD R. REED 25MAY1999	NAME CONTACT SOCKET SIZE 16	
0 PLC \pm		PRODUCT SPEC 108-151004	SIZE A3	
1 PLC \pm		APPLICATION SPEC 114-151004	CAGE CODE 4AFU8	DRAWING NO 0462-201-16XX
2 PLC \pm		WEIGHT 0.60g	RESTRICTED TO -	
3 PLC \pm		CUSTOMER DRAWING	SCALE 10:1	SHEET 1 OF 1
4 PLC \pm				REV B1
ANGLES \pm				
FINISH				

NOTES:
1. SEE APPLICATION SPECIFICATION 114-151004 FOR CRIMP TOOLS AND WIRE RANGE.

THIS DRAWING IS UNPUBLISHED.

RELEASED FOR PUBLICATION

2014

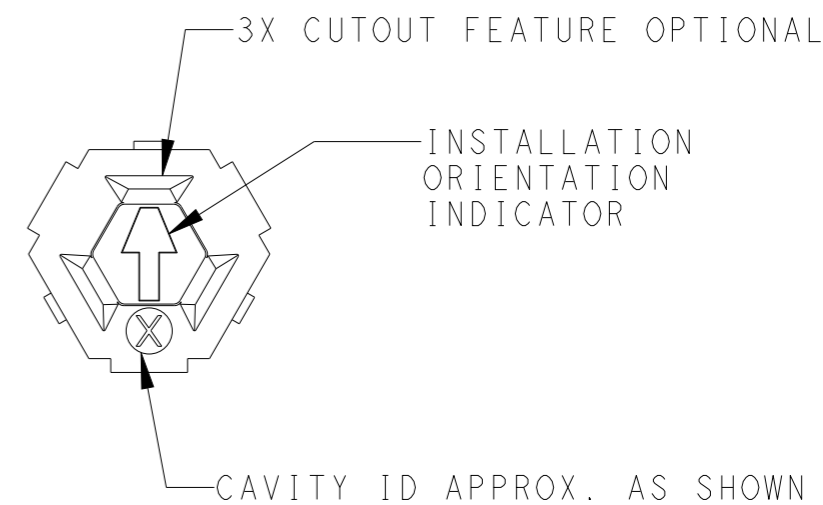
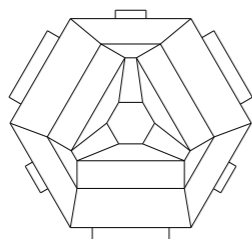
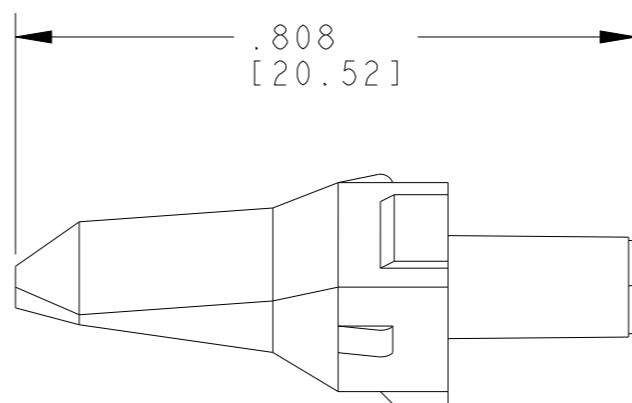
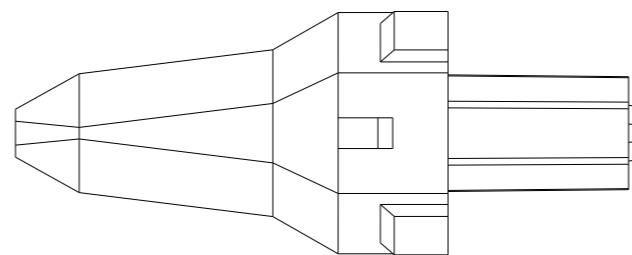
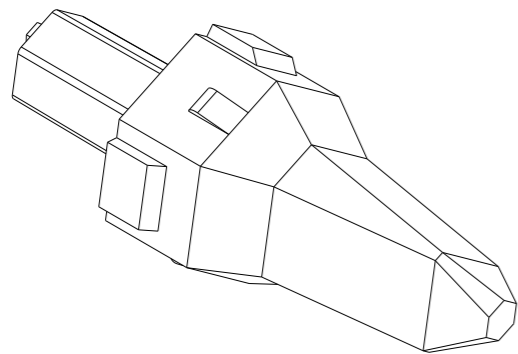
© COPYRIGHT 2014 BY -TE CONNECTIVITY

ALL RIGHTS RESERVED.

LOC - DIST -

REVISIONS

P	LTR	DESCRIPTION	DATE	DWN	APVD
	C	REVISED PER E.O P15887	15FEB1999	-	RDR
	C1	REVISED PER E.O-15-000356	08JAN2015	PS	DM
	C2	REVISED PER PCN-22-149876	12DEC2022	AP	IG
	H	REVISED PER PCN-23-190134	29SEP2023	GB	CB



1. USED WITH DT04-3P-XXXX (XXXX= ALL MODIFICATIONS)
 CONSULT FACTORY FOR MODIFICATION AND APPLICATION.

NOTES:

THIS DRAWING IS A CONTROLLED DOCUMENT.

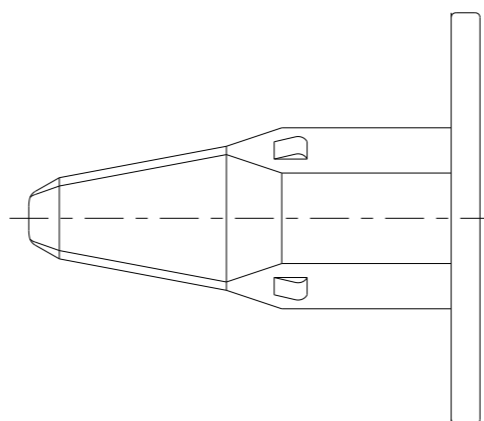
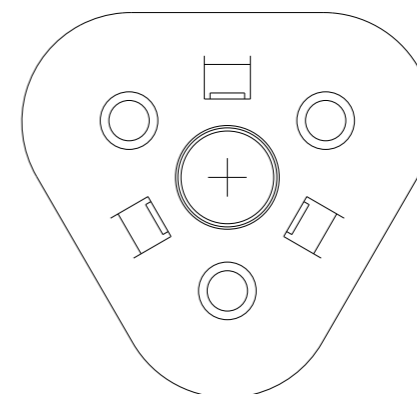
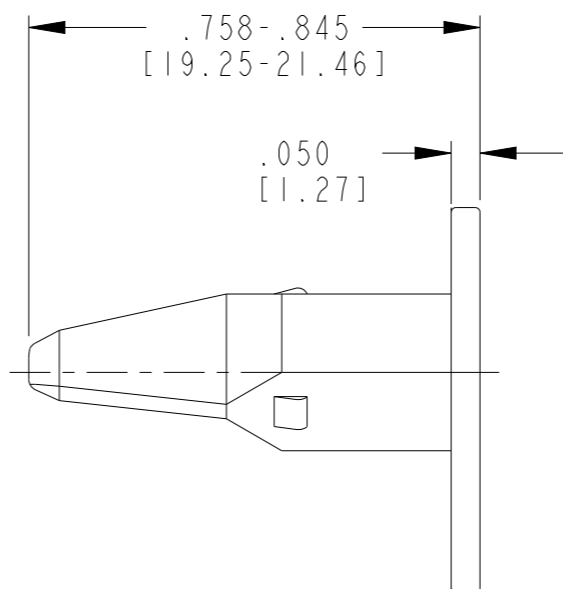
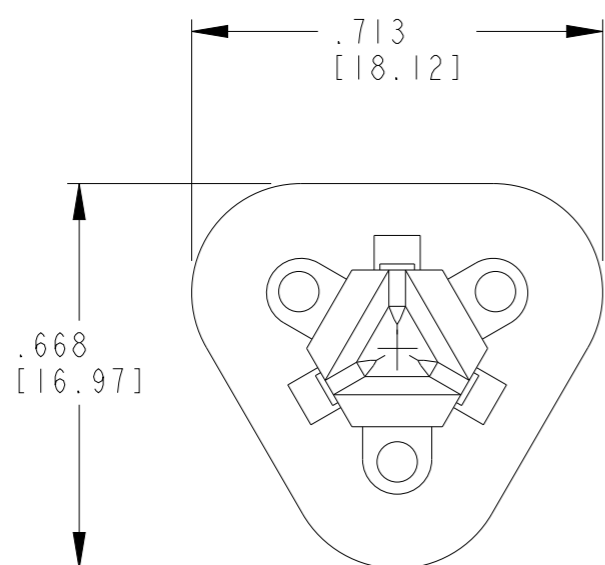
DIMENSIONS: INCHES [mm]	TOLERANCES UNLESS OTHERWISE SPECIFIED:
	0 PLC ±-
	1 PLC ±-
	2 PLC ±-
	3 PLC ±0.025[0.635]
	4 PLC ±-
	ANGLES ±0°30'0"
MATERIAL PBT30%GF GREEN	FINISH -

DWN	A.LEE	04FEB1999
CHK	S.THEIS	08FEB1999
APVD	S.THEIS	08FEB1999
PRODUCT SPEC	108-151009	
APPLICATION SPEC	114-151009	
WEIGHT	0.53g	
CUSTOMER DRAWING		

		NAME		RESTRICTED TO
		WEDGE LOCK 3 WAY RECEPTACLE DT SERIES		
SIZE	CAGE CODE	DRAWING NO	-	
A3	4AFU8	W3P	-	
SCALE	SHEET	OF	REV	
4:1	1	1	H	

REVISIONS

P	LTR	DESCRIPTION	DATE	DWN	APVD
	E	REVISED PER PCN E-17-001289	16JAN2017	CM	DM
	K	REVISED PER PCN-23-190134	29SEP2023	GB	BC



TE INTERNAL PN	DEUTSCH PN
W3S	W3S

2. MATERIAL: PBT 30% GF (ORANGE)

1. THIS WEDGE MAY BE USED WITH DT06-3S-XXXX PLUG (XXXX = ALL MODIFICATIONS). CONSULT FACTORY FOR MODIFICATION AND APPLICATION.

NOTES:

THIS DRAWING IS A CONTROLLED DOCUMENT.

DIMENSIONS: INCHES [mm]	TOLERANCES UNLESS OTHERWISE SPECIFIED:
	0 PLC ±
	1 PLC ±
	2 PLC ±
	3 PLC ± .025 [0.64]
	4 PLC ±
	ANGLES ± 0° 30' 0"
MATERIAL	FINISH
	-
	-

DWN	A. LEE	04FEB1997
CHK	B. BYFORD	14NOV2008
APVD	S. BEARD	13NOV2008
PRODUCT SPEC	108-151009	
APPLICATION SPEC	114-151009	
WEIGHT	0.97 g	
CUSTOMER DRAWING		

STE TE Connectivity			
NAME WEDGE LOCK FOR 3 WAY PLUG STANDARD TYPE DT SERIES			
SIZE	CAGE CODE	DRAWING NO	RESTRICTED TO
A3	4AFU8	W3S	-
SCALE 3:1		SHEET 1 OF 1	REV K