

FIGURE 1

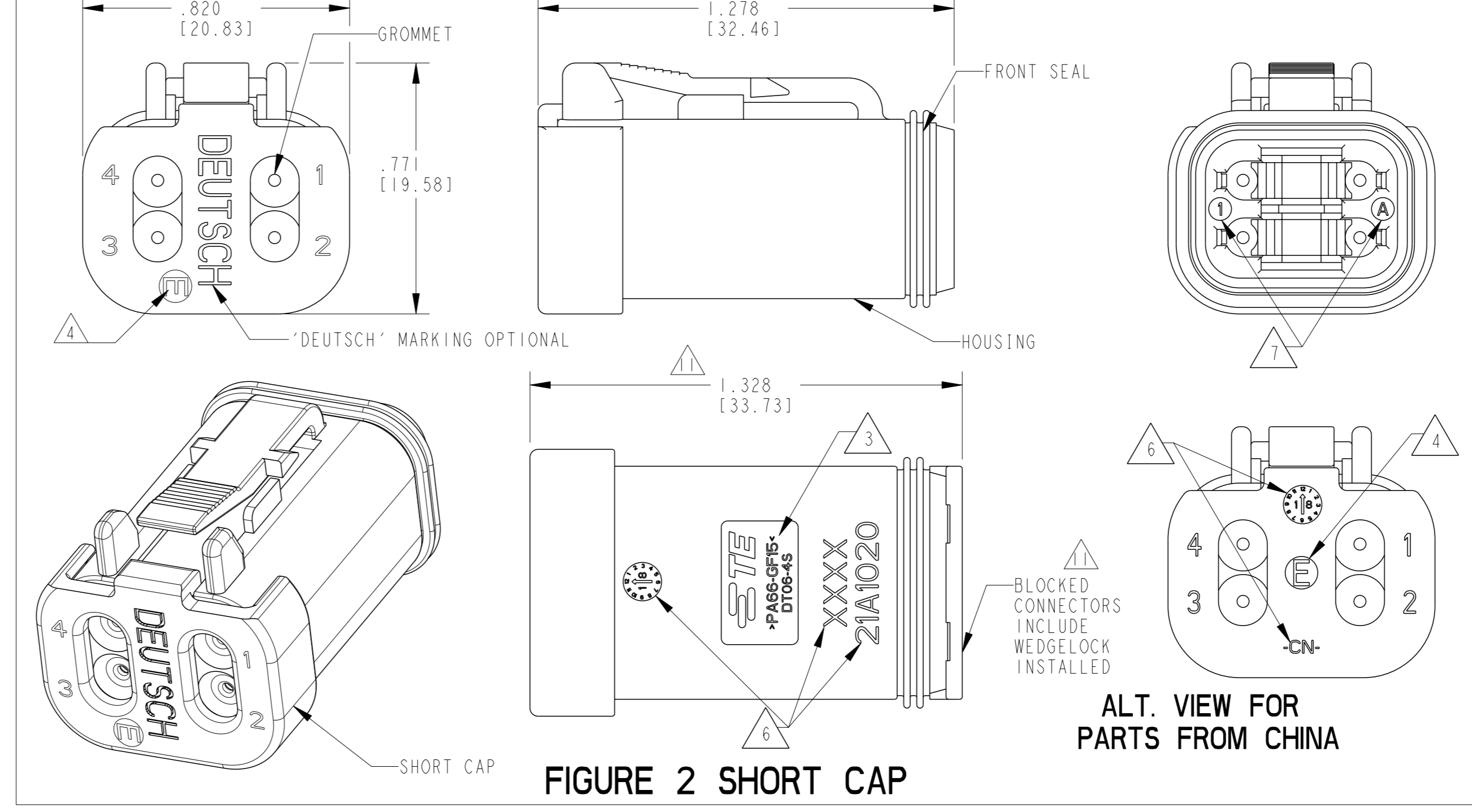


FIGURE 2 SHORT CAP

REVISIONS				
REV	DATE	DESCRIPTION	BY	APPV
B1	22MAY2024	REVISED PER PCN-24-210159	PS	CB
B2	20NOV2024	REVISED PER PCN-24-226098	PS	CB
B3	08SEP2025	REVISED PER PCN-25-254987	AP	AJ
B4	06NOV2025	REVISED PER PCN-25-266370	RT	EC

CONTACT SIZE	WIRE RANGE	INSULATION OD SEALING RANGE	SEAL IDENTIFICATION
16	14-20 AWG [2.5-0.5mm <sup>2</sup> ]	.088-.145 [2.23-3.68]	STANDARD SEAL
		.053-.120 [1.35-3.05]	EXTRA THIN SEAL E-SEAL

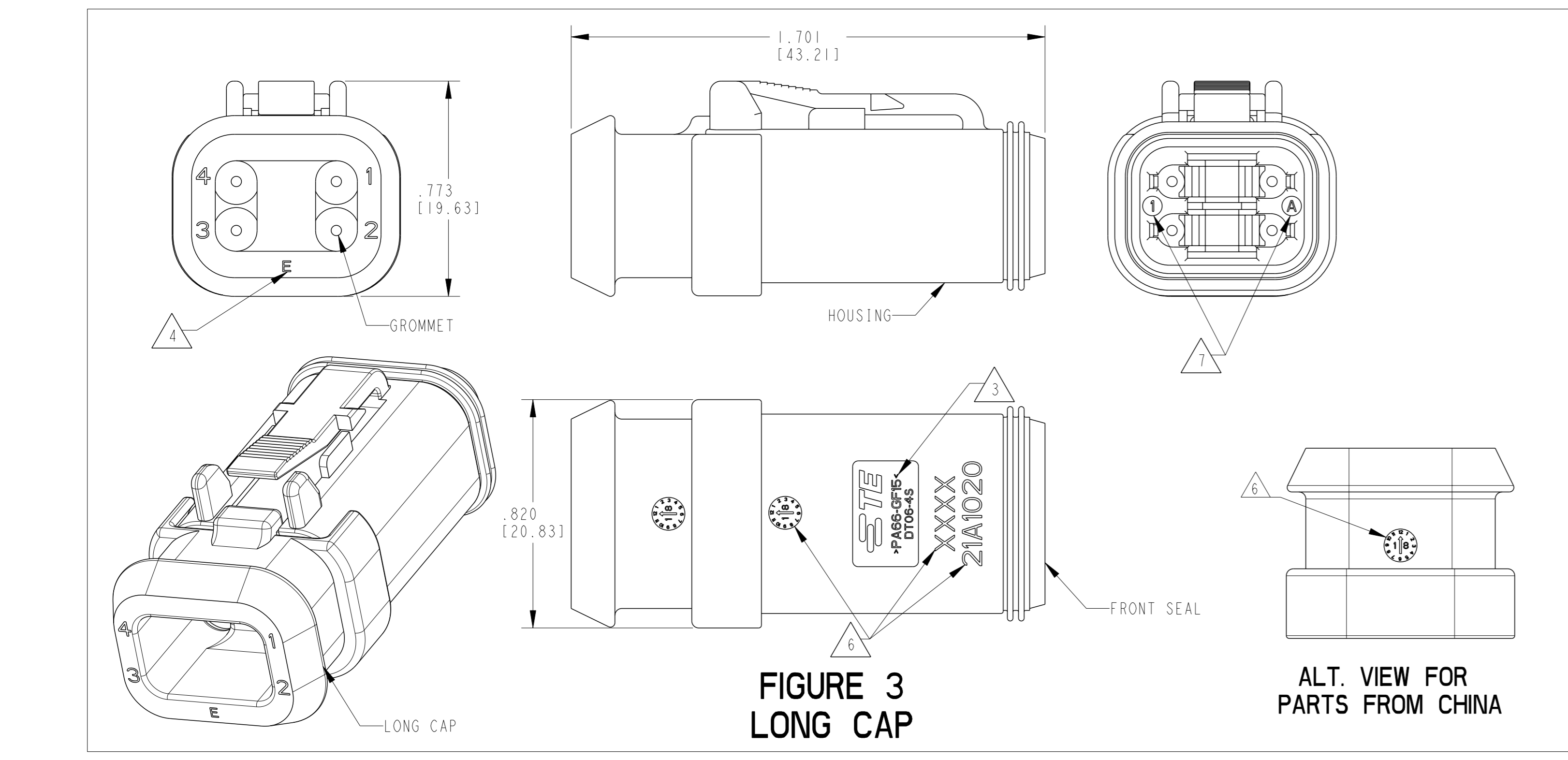


FIGURE 3 LONG CAP

TE INTERNAL PART NUMBER	DEUTSCH PART NUMBER	PN REV	HOUSING COLOR	STANDARD SEAL GROMMET	EXTRA THIN SEAL E-SEAL GROMMET	BLOCKED SEAL	SHORT CAP	LONG CAP	FIGURE
DT06-4S	DT06-4S	A	GRAY	X					1
DT06-4S-C015	DT06-4S-C015	B	GRAY		X				1
DT06-4S-C017	DT06-4S-C017	B	GRAY			X	X		2
DT06-4S-CE01	DT06-4S-CE01	C	GRAY		X		X		2
DT06-4S-CE02	DT06-4S-CE02	B	BLACK		X				1
DT06-4S-CE03	DT06-4S-CE03	A	BLACK		X		X		2
DT06-4S-CE04	DT06-4S-CE04	C	GRAY		X			X	3
DT06-4S-CE05	DT06-4S-CE05	B	BLACK		X		X		2
DT06-4S-CE06	DT06-4S-CE06	B	BLACK		X				1
DT06-4S-CE13	DT06-4S-CE13	B	BLACK		X			X	3
DT06-4S-CP01	DT06-4S-CP01	A	BLACK			X	X		2
DT06-4S-E003	DT06-4S-E003	B	GRAY	X			X		2
DT06-4S-E004	DT06-4S-E004	A	BLACK	X					1
DT06-4S-E005	DT06-4S-E005	A	BLACK	X			X		2
DT06-4S-E008	DT06-4S-E008	B	GRAY	X				X	3
DT06-4S-EP04	DT06-4S-EP04	C	GRAY	X			X		2
DT06-4S-EP06	DT06-4S-EP06	B	BLACK	X			X		2
DT06-4S-EP11	DT06-4S-EP11	B	BLACK	X				X	3
DT06-4S-P004	DT06-4S-P004	B	GRAY	X					1
DT06-4S-P012	DT06-4S-P012	A	BLACK	X					1
1-2448104-1	DT06-4S-TE09	A	BROWN		X				1
1-2448104-2	DT06-4S-TE03	A	GREEN		X				1
1-2448104-3	DT06-4S-TE07	A	BLUE		X				1
2-2448104-1	DT06-4S-TN09	A	BROWN	X					1
2-2448104-2	DT06-4S-TN03	A	GREEN	X					1
2-2448104-3	DT06-4S-TN07	A	BLUE	X					1
3-2448104-1	DT06-4S-EE18	A	BROWN		X		X		2
3-2448104-2	DT06-4S-EE16	A	GREEN		X		X		2
3-2448104-3	DT06-4S-EE17	A	BLUE		X		X		2
4-2448104-1	DT06-4S-EE14	A	BROWN	X			X		2
4-2448104-2	DT06-4S-EE13	A	GREEN	X			X		2
4-2448104-3	DT06-4S-EE06	A	BLUE	X			X		2

4 "E" IDENTIFIES E-SEAL, LOCATED APPROX. AS SHOWN.  
 3 MATERIAL: HOUSING: PA66 GF15, SEE TABLE FOR COLOR SHORT, LONG CAP: PA66 GF15, BLACK GROMMET: E-SEAL VMO (BURNT RED) N-SEAL VMO (RED-ORANGE) BLOCKED VMO (RED-ORANGE) FRONT SEAL: VMO (RED-ORANGE),  
 2. THIS PLUG MATES WITH DT04-4P-XXXX RECEPTACLE. (XXXX = ALL MODIFICATIONS)  
 1. SECONDARY WEDGE LOCK SOLD SEPARATELY: W4SX-XXXX. (X = A, B, C, D KEY, XXXX = ALL MODIFICATIONS) W4S OR W4S-P012 MAY BE USED WITH THESE PLUGS, W4S-P012 IS RECOMMENDED.  
 NOTES: UNLESS OTHERWISE SPECIFIED

6 MARKING FOR PARTS PRODUCED IN CHINA:  
 -XXXX IDENTIFIES THE MODIFICATION NUMBER, IF APPLICABLE. EXAMPLE: "E003" FOR DT06-4S-E003, OR BLANK FOR DT06-4S.  
 -DATE CODE: IDENTIFIES THE YEAR, MONTH, DAY AND HOUR OF ASSEMBLY.  
 YEAR: FIRST AND SECOND DIGITS. (17 = 2017)  
 MONTH: THIRD DIGIT, EXCLUDING 1. A = JAN, B = FEB, C = MARCH ... (K = OCTOBER)  
 DAY: FOURTH AND FIFTH DIGITS (14 = 14th DAY)  
 HOUR: SIXTH AND SEVENTH DIGITS (11 = 11AM)  
 -DIAL DATE CODE LOCATED ON HOUSING AND/OR CAP.  
 -CN LOCATED ON HOUSING AND/OR CAP.  
 5. FOR CONTACTS AND WIRE PERFORMANCE AND APPLICATION CHARACTERISTICS SEE CUSTOMER DRAWING 0425-015-0000.

11 CONNECTORS WITH A BLOCKED SEAL INCLUDE THE W4S-P012 WEDGE (GREEN) INSTALLED AS PART OF THE PLUG ASSEMBLY.  
 7 MARKING FOR PARTS PRODUCED IN US:  
 -DATE CODE:  
 YEAR TO BE LAST NUMERICAL DIGIT, EX: 1=2021  
 MONTH USES SEQUENTIAL ALPHA CHARACTERS, EX: A=JANUARY

THIS DRAWING IS A CONTROLLED DOCUMENT. OWN: R. MESSENGER 28 JUN 2021  
 CHK: I. GRANTCHAROVA 12 JUL 2021  
 APVD: I. GRANTCHAROVA 12 JUL 2021  
 DIMENSIONS: IN (mm) 0 PLC ±, 1 PLC ±, 2 PLC ±, 3 PLC ±, 4 PLC ±, 5 PLC ±, 6 PLC ±, 7 PLC ±, 8 PLC ±, 9 PLC ±, 10 PLC ±, 11 PLC ±, 12 PLC ±, 13 PLC ±, 14 PLC ±, 15 PLC ±, 16 PLC ±, 17 PLC ±, 18 PLC ±, 19 PLC ±, 20 PLC ±, 21 PLC ±, 22 PLC ±, 23 PLC ±, 24 PLC ±, 25 PLC ±, 26 PLC ±, 27 PLC ±, 28 PLC ±, 29 PLC ±, 30 PLC ±, 31 PLC ±, 32 PLC ±, 33 PLC ±, 34 PLC ±, 35 PLC ±, 36 PLC ±, 37 PLC ±, 38 PLC ±, 39 PLC ±, 40 PLC ±, 41 PLC ±, 42 PLC ±, 43 PLC ±, 44 PLC ±, 45 PLC ±, 46 PLC ±, 47 PLC ±, 48 PLC ±, 49 PLC ±, 50 PLC ±, 51 PLC ±, 52 PLC ±, 53 PLC ±, 54 PLC ±, 55 PLC ±, 56 PLC ±, 57 PLC ±, 58 PLC ±, 59 PLC ±, 60 PLC ±, 61 PLC ±, 62 PLC ±, 63 PLC ±, 64 PLC ±, 65 PLC ±, 66 PLC ±, 67 PLC ±, 68 PLC ±, 69 PLC ±, 70 PLC ±, 71 PLC ±, 72 PLC ±, 73 PLC ±, 74 PLC ±, 75 PLC ±, 76 PLC ±, 77 PLC ±, 78 PLC ±, 79 PLC ±, 80 PLC ±, 81 PLC ±, 82 PLC ±, 83 PLC ±, 84 PLC ±, 85 PLC ±, 86 PLC ±, 87 PLC ±, 88 PLC ±, 89 PLC ±, 90 PLC ±, 91 PLC ±, 92 PLC ±, 93 PLC ±, 94 PLC ±, 95 PLC ±, 96 PLC ±, 97 PLC ±, 98 PLC ±, 99 PLC ±, 100 PLC ±.  
 TOLERANCES UNLESS OTHERWISE SPECIFIED: ±.025 (0.641) ANGLES: 40°/30°/0°.  
 MATERIAL: 3  
 FINISH: 3  
 WEIGHT: 114-151009  
 CUSTOMER DRAWING: 4AFU8 ©=DT06-4S-XXXX  
 SCALE: 3:1 SHEET 1 OF 2 REV B4

REVISIONS				
P	LY#	DESCRIPTION	DATE	OWN / APVD
-	-	SEE SHEET 1	-	-

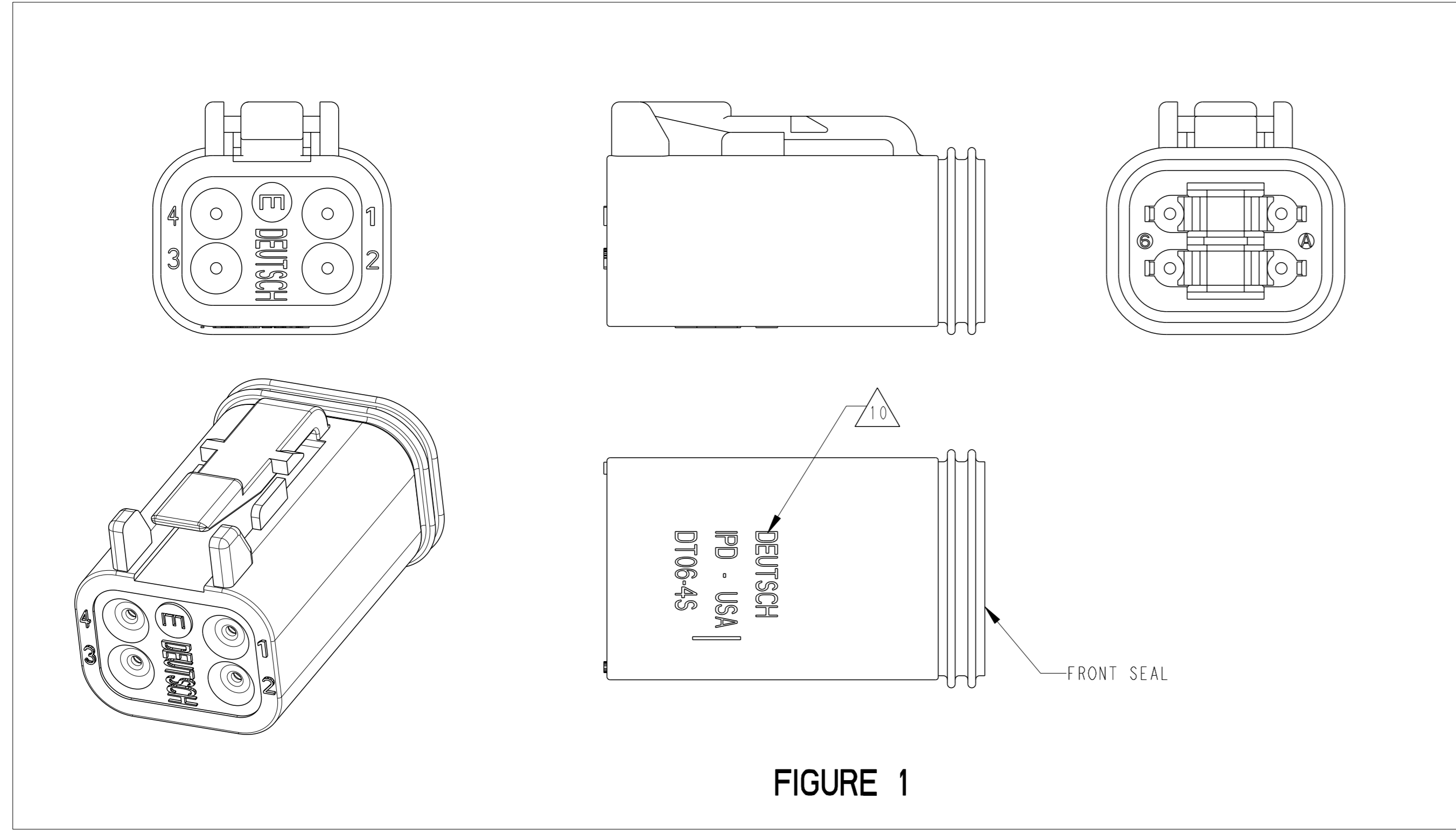


FIGURE 1

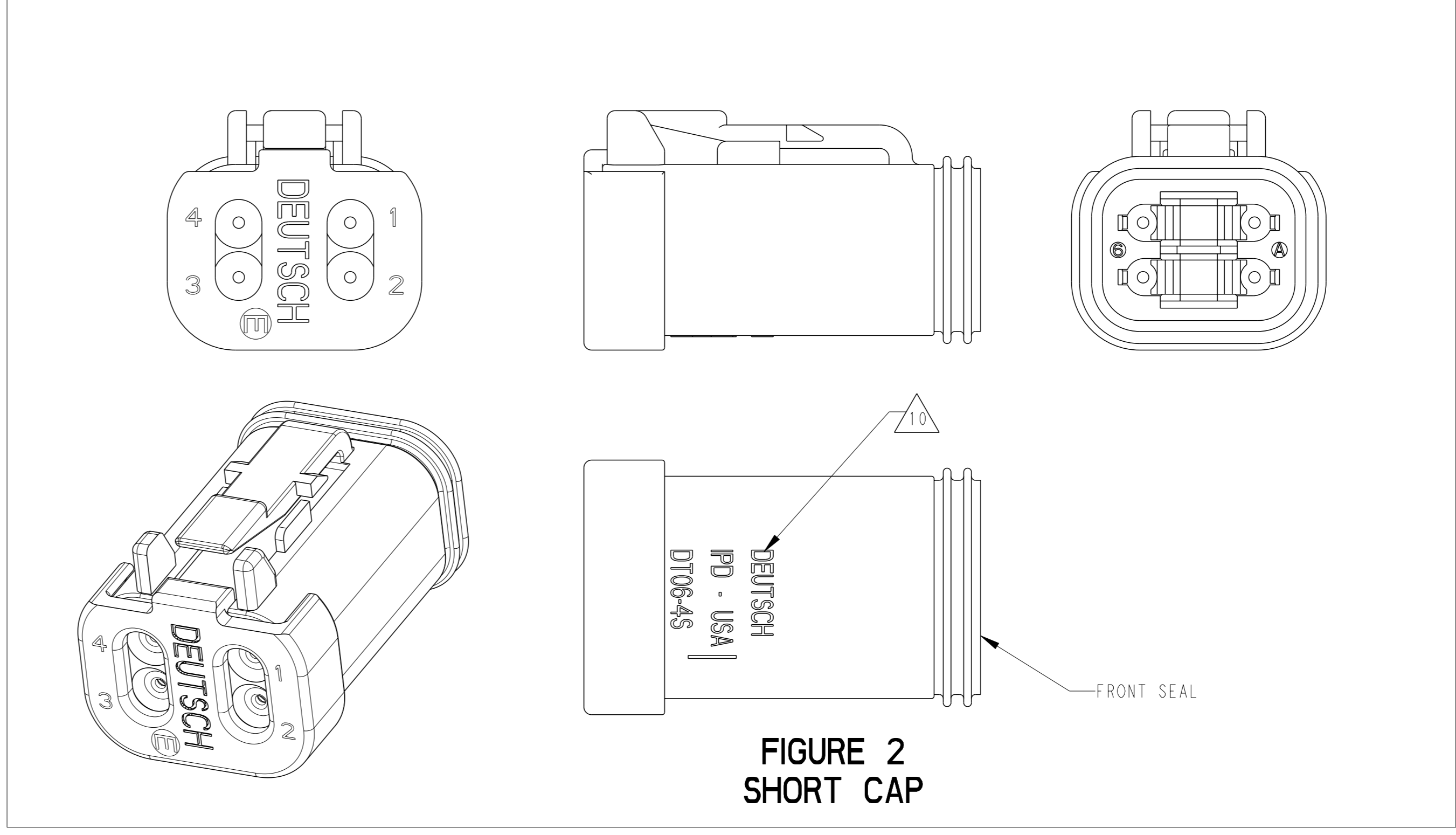


FIGURE 2  
SHORT CAP

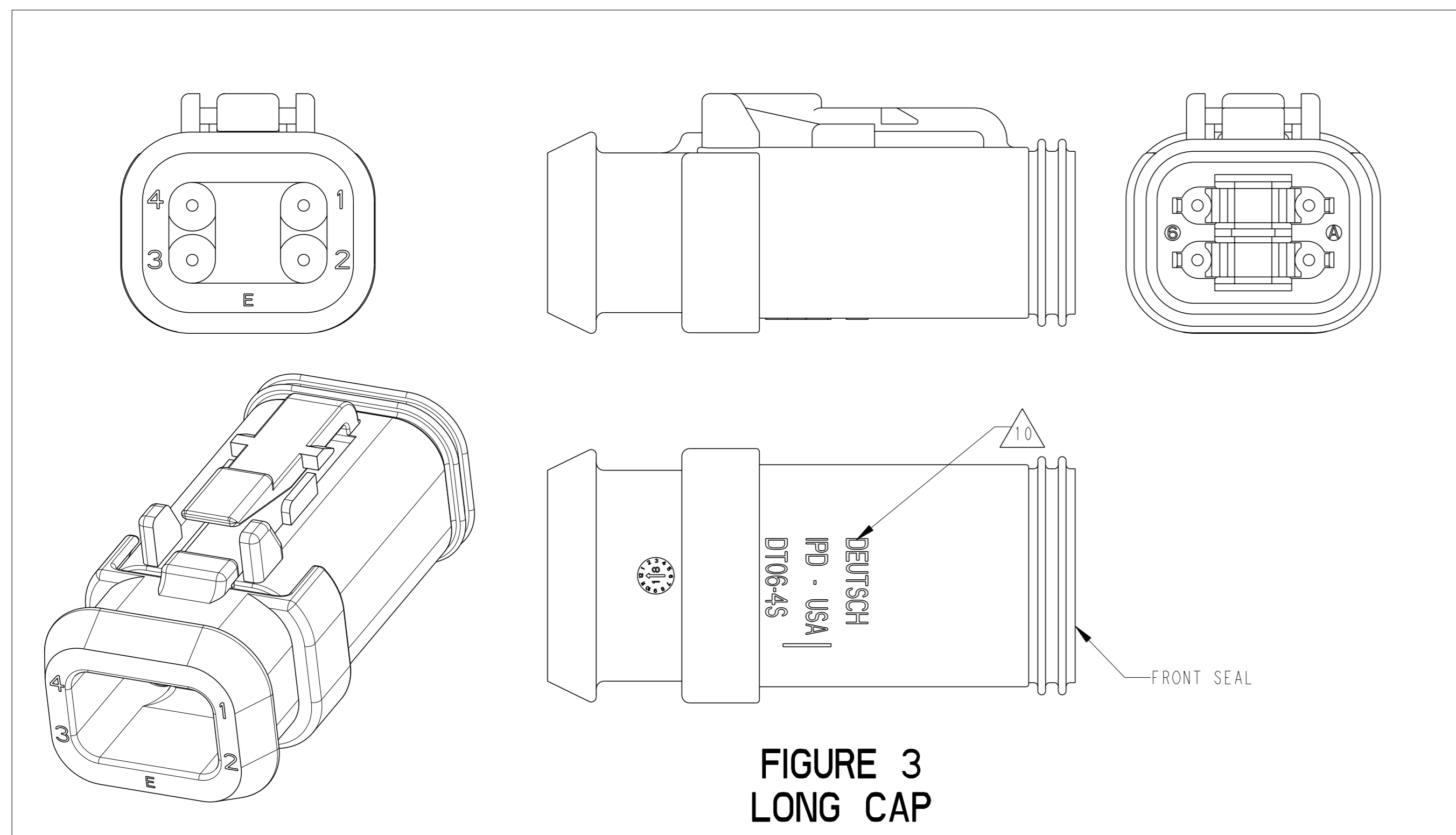


FIGURE 3  
LONG CAP

13. FOR ALL ID MARKINGS SURROUNDING THE PART, ORIENTATION IS SHOWN FOR REFERENCE ONLY AND DOES NOT AFFECT FUNCTIONLAITY, PROVIDED THE MARKINGS ARE IN THE CORRECT POSITION. SIZE AND LOCATION ARE APPROXIMATE, AS SHOWN.

- 12 CONNECTORS WITH A BLOCKED SEAL (AND DEUTSCH MARKINGS) INCLUDE THE W4S WEDGE (ORANGE) INSTALLED AS PART OF THE PLUG ASSEMBLY.
- 10 PARTS IN THE STANDARD TYPE CONFIGURATION WILL HAVE 'DEUTSCH' ID TEXT ON THE HOUSINGS.
- 9. SECONDARY WEDGE LOCK SOLD SEPARATELY: W4S OR W4SX (X = A,B,C,D KEY). W4S OR W4SX MUST BE USED WITH THE STANDARD TYPE PLUGS.
- 8 THE AFFECTED PARTS NUMBERS LISTED ARE CHANGING FROM STANDARD TYPE SEAL (SHEET 2) TO RETENTION TYPE SEAL (SHEET 1). PARTS WILL BE SUPPLIED FROM THE NORTH AMERICA REGION IN THE STANDARD TYPE CONFIGURATION UNTIL THE STANDARD TYPE TOOLING REACHES ITS END OF LIFE, PARTS PRODUCED IN CHINA WILL BE RETENTION TYPE ONLY.

AFFECTED PART NUMBERS	PN REV	COLOR	STANDARD SEAL GROMMET	EXTRA THIN SEAL E-SEAL GROMMET	BLOCKED SEAL	SHORT CAP	LONG CAP	FIGURE
DT06-4S	-	GRAY	X					1
DT06-4S-C015	A	GRAY		X				1
DT06-4S-C017	-	GRAY			X	X		2
DT06-4S-CE01	A	GRAY		X		X		2
DT06-4S-CE02	A	BLACK		X				1
DT06-4S-CE03	-	BLACK		X		X		2
DT06-4S-CE04	A	GRAY		X			X	3
DT06-4S-E003	-	GRAY	X			X		2
DT06-4S-E004	-	BLACK	X					1
DT06-4S-E005	-	BLACK	X			X		2
DT06-4S-E008	-	GRAY	X				X	3
DT06-4S-EP04	A	GRAY	X			X		2
DT06-4S-P004	A	GRAY	X					1

THIS DRAWING IS A CONTROLLED DOCUMENT. OWN: R. MESSENGER 28 JUN 2021. CHK: I. GRANTCHAROVA 12 JUL 2021. APVD: I. GRANTCHAROVA 23 JUL 2021.

**TE** TE Connectivity

NAME: 4 WAY PLUG, STANDARD SEAL EXTRA THIN SEAL, SHORT AND LONG CAP DT SERIES

SIZE: 108-151009 APPLICATION SPEC. CAGE CODE: 114-151009. WEIGHT: 0.025 (0.641) g. FINISH: 40\*30\*0.4

MATERIAL: DIMENSIONS: IN (mm). TOLERANCES UNLESS OTHERWISE SPECIFIED: 0 PLC ±, 1 PLC ±, 2 PLC ±, 3 PLC ±, 4 PLC ±.

CUSTOMER DRAWING. SCALE: 3:1. SHEET 2 OF 2. REV B4.