

FIGURE 1

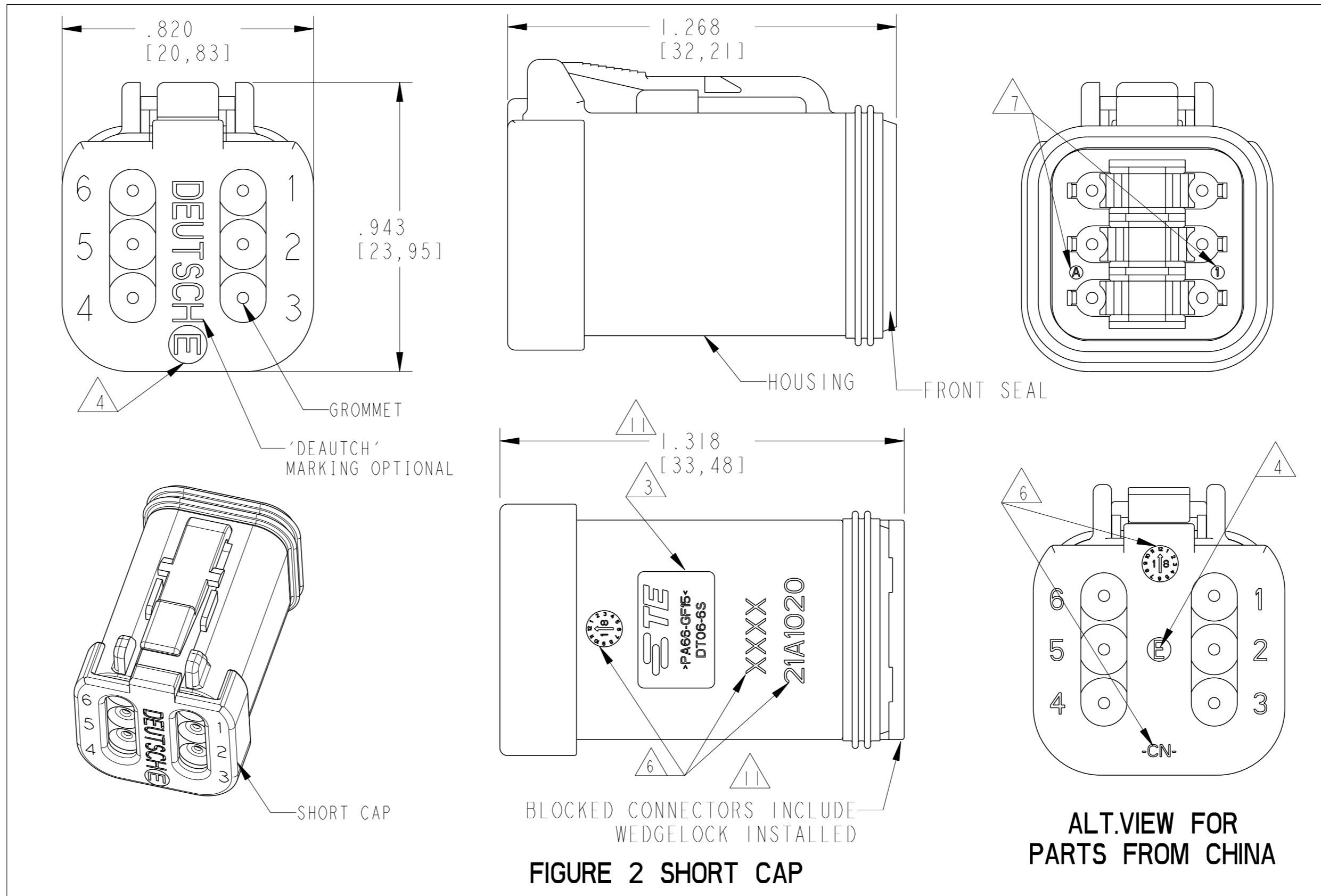


FIGURE 2 SHORT CAP

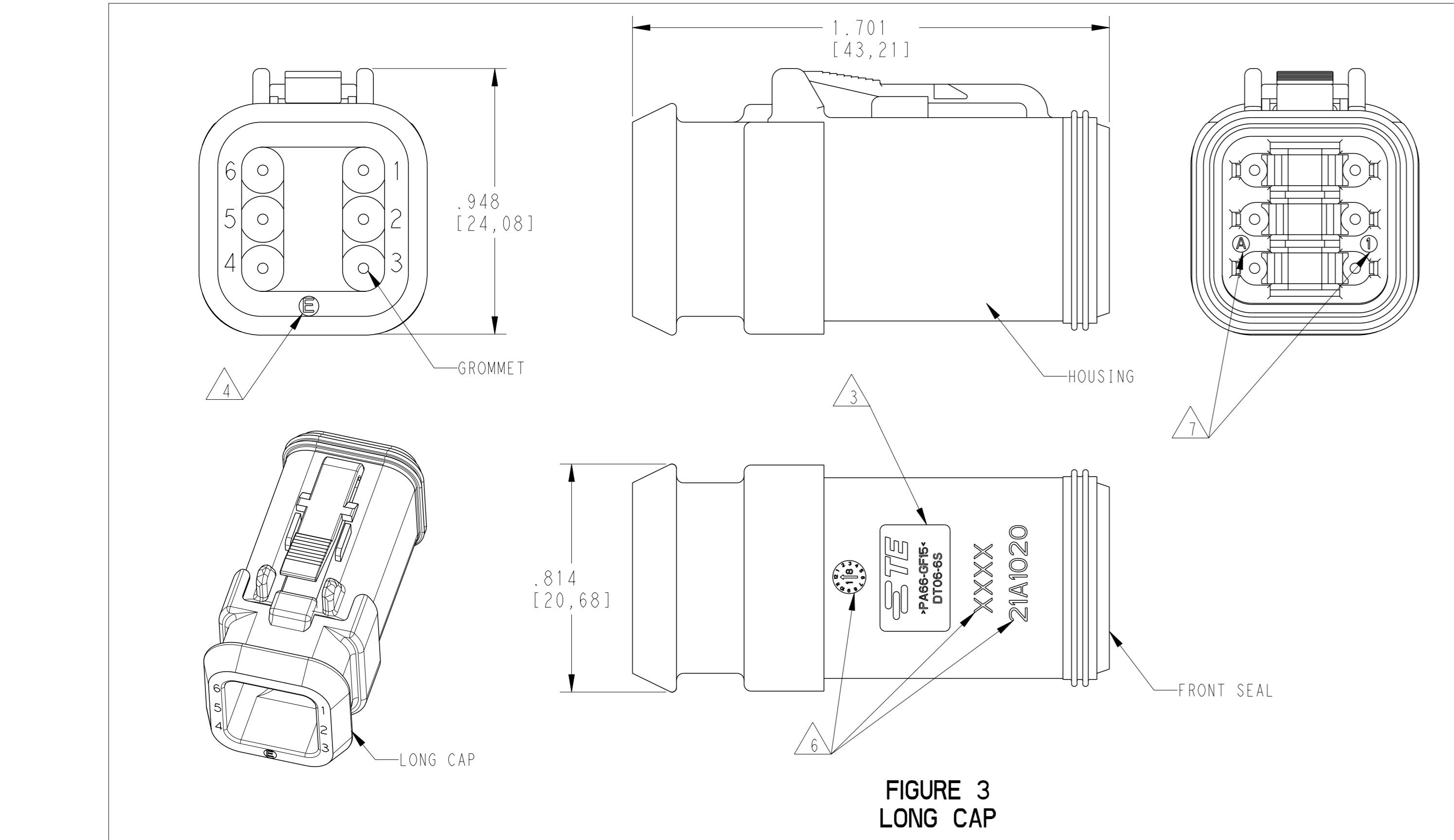


FIGURE 3 LONG CAP

REVISIONS				
P	LT#	DESCRIPTION	DATE	APPV
B1		REVISED PER PCN-24-210159	22MAY2024	PS CB
B2		REVISED PER PCN-24-226098	20NOV2024	PS CB
B3		REVISED PER PCN-25-254987	08SEP2025	AP AJ
B4		REVISED PER PCN-25-266370	26NOV2025	RT EC

CONTACT SIZE	WIRE RANGE	INSULATION OD SEALING RANGE	SEAL IDENTIFICATION
16	14-20 AWG [2.5-0.5 mm]	.088-.145 [2.23-3.68]	STANDARD SEAL
		.053-.120 [1.35-3.05]	EXTRA THIN SEAL E-SEAL

TE INTERNA PART NUMBER	DEUTSCH PART NUMBER	PN REV	HOUSING COLOR	STANDARD SEAL	EXTRA THIN SEAL E-SEAL	BLOCKED SEAL	SHORT CAP	LONG CAP	FIGURE
DT06-6S	DT06-6S	A	GRAY	X					1
DT06-6S-C015	DT06-6S-C015	B	GRAY		X				1
DT06-6S-C017	DT06-6S-C017	B	GRAY			X	X		2
DT06-6S-CE01	DT06-6S-CE01	C	GRAY		X		X		2
DT06-6S-CE02	DT06-6S-CE02	B	BLACK		X		X		1
DT06-6S-CE03	DT06-6S-CE03	B	BLACK		X		X	X	2
DT06-6S-CE04	DT06-6S-CE04	B	GRAY		X		X		2
DT06-6S-CE05	DT06-6S-CE05	C	BLACK		X		X		2
DT06-6S-CE06	DT06-6S-CE06	B	BLACK		X		X		1
DT06-6S-CE11	DT06-6S-CE11	A	BLACK		X		X		2
DT06-6S-CE13	DT06-6S-CE13	B	BLACK		X			X	3
DT06-6S-E003	DT06-6S-E003	B	GRAY	X			X		2
DT06-6S-E004	DT06-6S-E004	A	BLACK	X			X		1
DT06-6S-E005	DT06-6S-E005	A	BLACK	X			X		2
DT06-6S-E008	DT06-6S-E008	B	GRAY	X				X	3
DT06-6S-EP04	DT06-6S-EP04	C	GRAY	X			X		2
DT06-6S-EP06	DT06-6S-EP06	B	BLACK	X			X		2
DT06-6S-EP11	DT06-6S-EP11	B	BLACK	X				X	3
DT06-6S-P004	DT06-6S-P004	B	GRAY	X					1
DT06-6S-P012	DT06-6S-P012	A	BLACK	X					1
1-2448106-1	DT06-6S-TE09	A	BROWN		X				1
1-2448106-2	DT06-6S-TE03	A	GREEN		X				1
1-2448106-3	DT06-6S-TE07	A	BLUE		X				1
2-2448106-1	DT06-6S-TN09	A	BROWN	X					1
2-2448106-2	DT06-6S-TN03	A	GREEN	X					1
2-2448106-3	DT06-6S-TN07	A	BLUE	X					1
3-2448106-1	DT06-6S-EE18	A	BROWN		X		X		2
3-2448106-2	DT06-6S-EE16	A	GREEN		X		X		2
3-2448106-3	DT06-6S-EE17	A	BLUE		X		X		2
4-2448106-1	DT06-6S-EE14	A	BROWN	X			X		2
4-2448106-2	DT06-6S-EE13	A	GREEN	X			X		2
4-2448106-3	DT06-6S-EE06	A	BLUE	X			X		2

- 4 "E" IDENTIFIES E-SEAL, LOCATED APPROX. AS SHOWN.
 - 3 MATERIAL: HOUSING: PA66 GF15, SEE TABLE FOR COLOR
SHORT, LONG CAP: PA66 GF15, BLACK
GROMMET: E-SEAL VMO (BURNT RED)
N-SEAL VMO (RED-ORANGE)
BLOCKED VMO (RED-ORANGE)
FRONT SEAL: VMO (RED-ORANGE).
 - 2. THIS PLUG MATES WITH DT06-6P-XXXX RECEPTACLE. (XXXX = ALL MODIFICATION)
 - 1. SECONDARY WEDGE LOCK SOLD SEPARATELY: W6SX-XXXX. (X = A,B,C,D KEY, XXXX = ALL MODIFICATIONS)
W6S OR W6S-P012 MAY BE USED WITH THESE PLUGS, W6S-P012 IS RECOMMENDED.
- NOTE: UNLESS OTHERWISE SPECIFIED
- 6 MARKING FOR PARTS PRODUCED IN CHINA:
-XXXX IDENTIFIES THE MODIFICATION NUMBER, IF APPLICABLE. EXAMPLE: "E003 FOR DT06-6S-E003, OR BLANK FOR DT06-6S
-DATE CODE: IDENTIFIES THE YEAR, MONTH, DAY AND HOUR OF ASSEMBLY.
YEAR: FIRST AND SECOND DIGITS. (17 = 2017)
MONTH: THIRD DIGIT, EXCLUDING I. A = JAN, B = FEB, C = MARCH... (K = OCTOBER)
DAY: FOURTH AND FIFTH DIGITS (14 = 14th DAY)
HOUR: SIXTH AND SEVENTH DIGITS (11 = 11AM)
 - 7 MARKING FOR PARTS PRODUCED IN US:
-DATE CODE:
YEAR TO BE LAST NUMERICAL DIGIT, EX: 1=2021
MONTH USES SEQUENTIAL ALPHA CHARACTERS, EX: A=JANUARY
 - 5. FOR CONTACTS AND WIRE PERFORMANCE AND APPLICATION CHARACTERISTICS SEE CUSTOMER DRAWING 0425-015-0000.

- 1 CONNECTORS WITH A BLOCKED SEAL INCLUDE THE W6S-P012 WEDGE (GREEN) INSTALLED AS PART OF THE PLUG ASSEMBLY.

THIS DRAWING IS A CONTROLLED DOCUMENT.

DIMENSIONS: IN [mm]	TOLERANCES UNLESS OTHERWISE SPECIFIED:	OWN: R. MUKESH 21 JUL 2021	CHK: R. MESSINGER 21 JUL 2021	APV: I. GRANTCHAROVA 25 JUL 2021
0 PLC ±	1 PLC ±	PRODUCT SPEC		
2 PLC ±	3 PLC ±	APPLICATION SPEC		
4 PLC ±	ANGLES 40° 30' 0"	WEIGHT		
MATERIAL	FINISH	CUSTOMER DRAWING		

TE Connectivity

6 WAY PLUG, STANDARD SEAL EXTRA THIN SEAL, SHORT AND LONG CAP DT SERIES

SIZE: 448 C=DT06-6S-XXXX

SCALE: 3:1 SHEET 1 OF 2 REV B4

REVISIONS				
#	DATE	DESCRIPTION	OWN	APVD
-	-	SEE SHEET 1	-	-

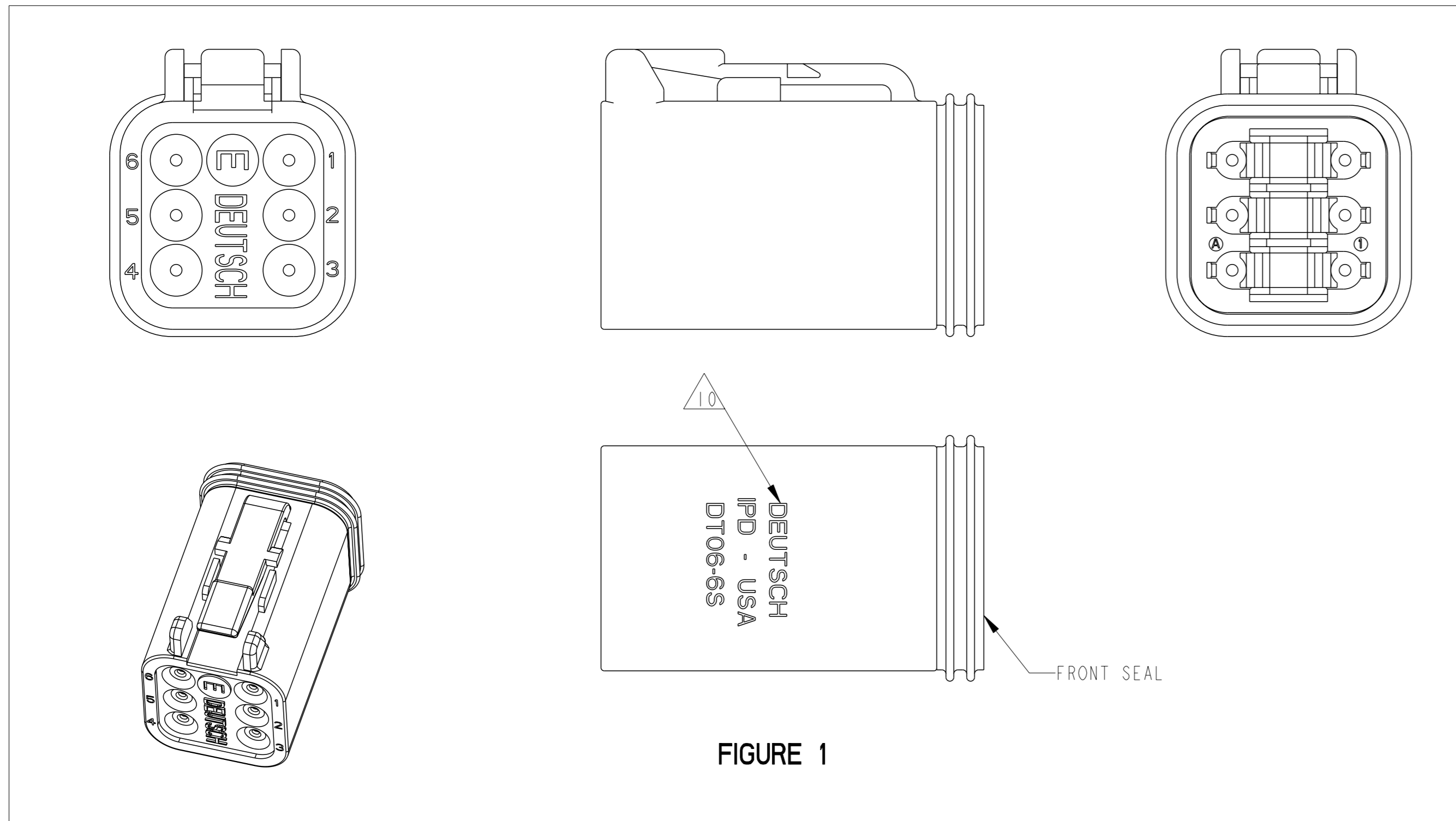


FIGURE 1

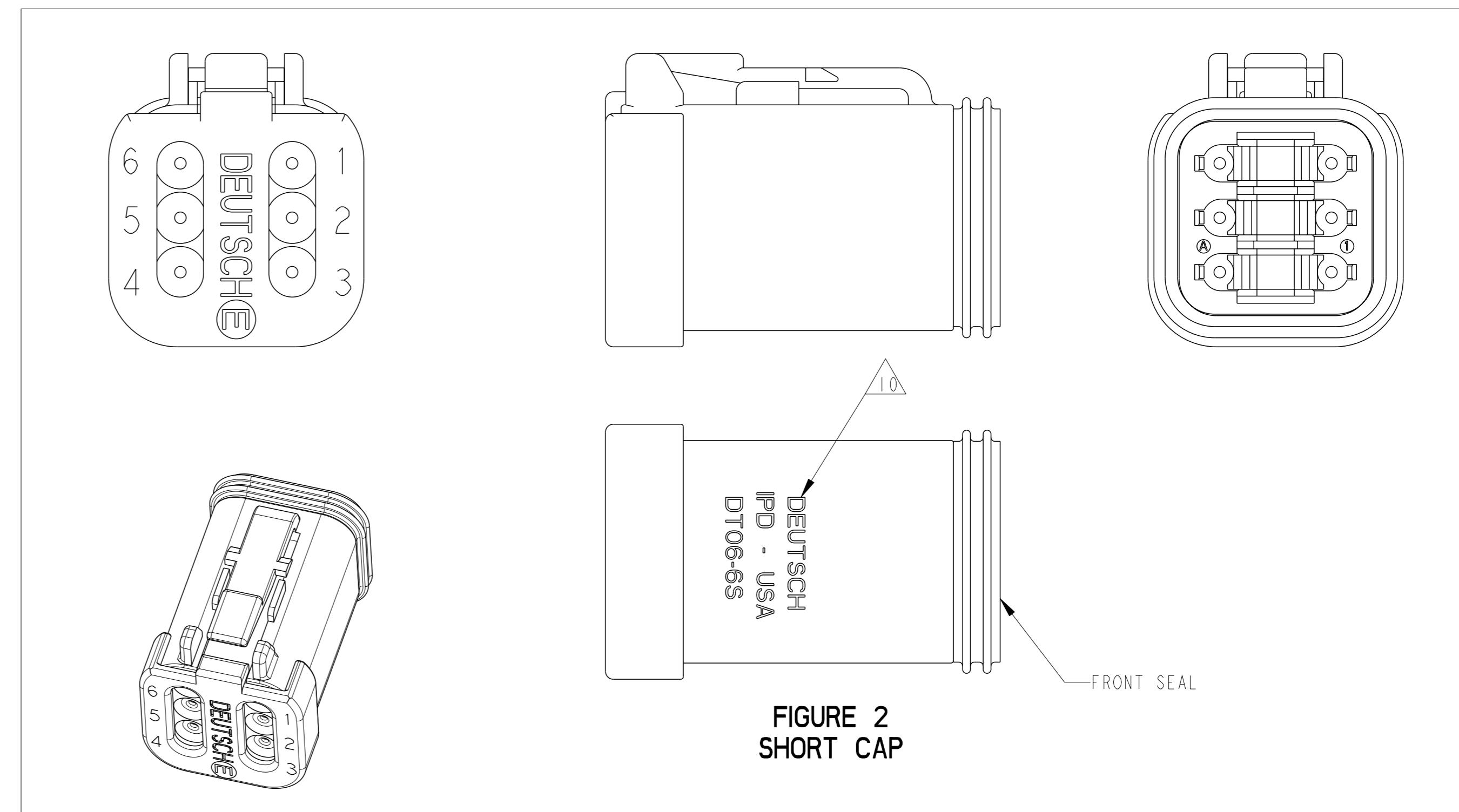


FIGURE 2
SHORT CAP

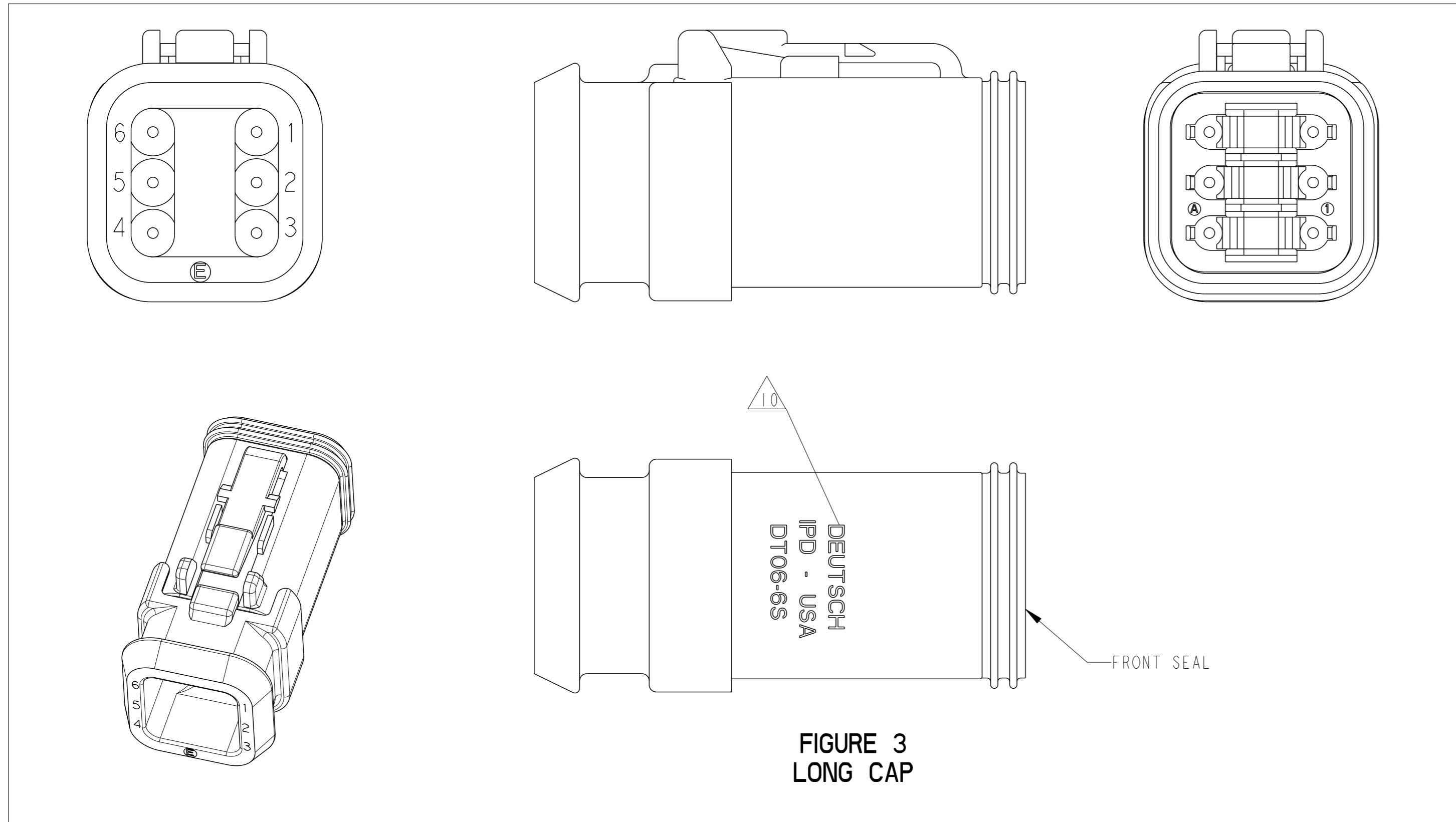


FIGURE 3
LONG CAP

13. FOR ALL ID MARKINGS SURROUNDING THE PART, ORIENTATION IS SHOWN FOR REFERENCE ONLY AND DOES NOT AFFECT FUNCTIONALITY, PROVIDED THE MARKINGS ARE IN THE CORRECT POSITION. SIZE AND LOCATION ARE APPROXIMATE, AS SHOWN.

12 CONNECTORS WITH A BLOCKED SEAL (AND DEUTSCH MARKINGS) INCLUDE THE W6S WEDGE (ORANGE) INSTALLED AS PART OF THE PLUG ASSEMBLY.

10 PARTS IN THE STANDARD TYPE CONFIGURATION WILL HAVE 'DEUTSCH' ID TEXT ON THE HOUSING.

9. SECONDARY WEDGE LOCK SOLD SEPARATELY: W6S OR W6SX (X = A,B,C,D KEY). W6S OR W6SX MUST BE USE WITH THE STANDARD TYPE PLUGS.

8 THE AFFECTED PARTS NUMBERS LISTED ARE CHANGING FROM STANDARD TYPE SEAL (SHEET 2) TO RETENTION TYPE SEAL (SHEET 1). PARTS WILL BE SUPPLIED FROM THE NORTH AMERICA REGION IN THE STANDARD TYPE CONFIGURATION UNTIL THE STANDARD TYPE TOOLING REACHES ITS END OF LIFE. PARTS PRODUCED IN CHINA WILL BE RETENTION TYPE ONLY.

AFFECTED PART NUMBERS	PN REV	COLOR	STANDARD SEAL GROMMET	EXTRA THIN SEAL E-SEAL GROMMET	BLOCKED SEAL	SHORT CAP	LONG CAP	FIGURE
DT06-6S	-	GRAY	X					1
DT06-6S-C015	A	GRAY		X				1
DT06-6S-C017	-	GRAY			X	X		2
DT06-6S-CE01	A	GRAY		X		X		2
DT06-6S-CE02	A	BLACK		X				1
DT06-6S-CE03	A	BLACK		X		X		2
DT06-6S-CE04	-	GRAY		X			X	3
DT06-6S-E003	-	GRAY	X			X		2
DT06-6S-E004	-	BLACK	X					1
DT06-6S-E005	-	BLACK	X			X		2
DT06-6S-E008	-	GRAY	X				X	3
DT06-6S-EP04	A	GRAY	X			X		2
DT06-6S-P004	A	GRAY	X					1

THIS DRAWING IS A CONTROLLED DOCUMENT.

OWN: R. MUKESH 21 JUL 2021
 CHK: R. MESSENGER 21 JUL 2021
 APVD: J. GRANTCHAROVA 25 JUL 2021

TE Connectivity

NAME: 6 WAY PLUG, STANDARD SEAL EXTRA THIN SEAL, SHORT AND LONG CAP DT SERIES

SIZE: A | CAGE CODE: 4AFU8 | DRAWING NO: DT06-6S-XXXX | RESTRICTED TO: -

MATERIAL: - | FINISH: - | WEIGHT: - | CUSTOMER DRAWING

SCALE: 3:1 | SHEET: 2 OF 2 | REV: B4