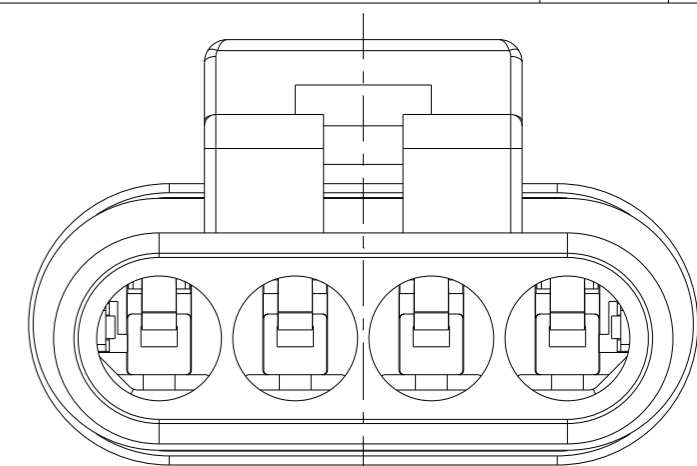
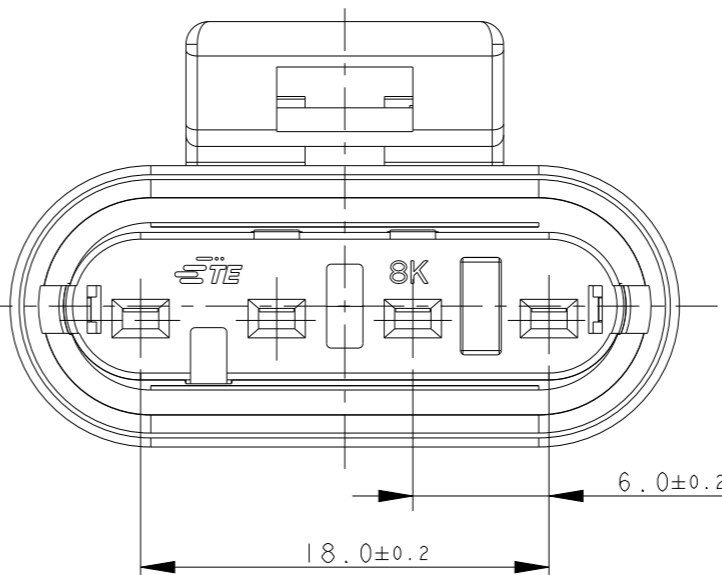
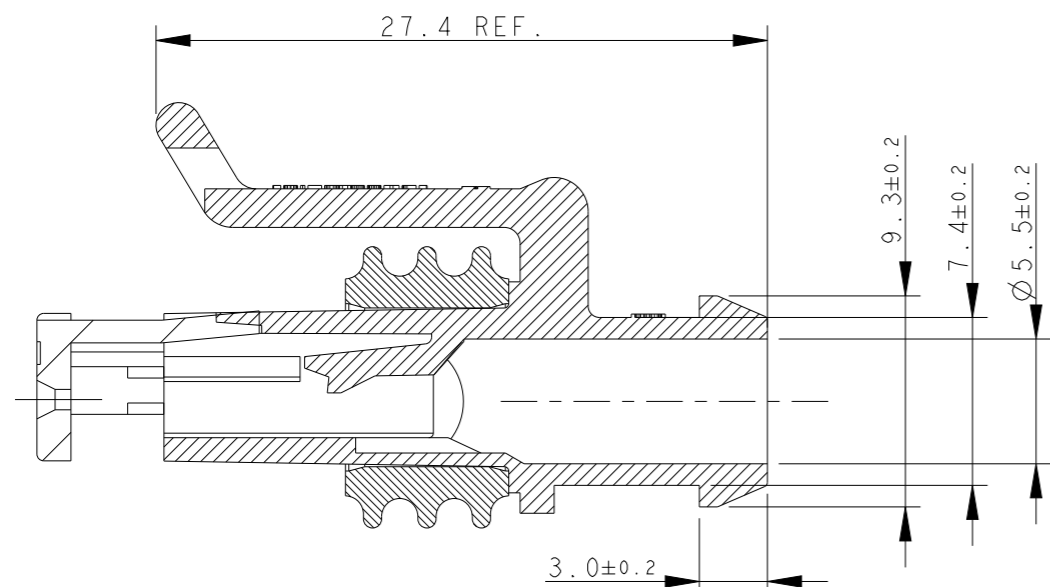
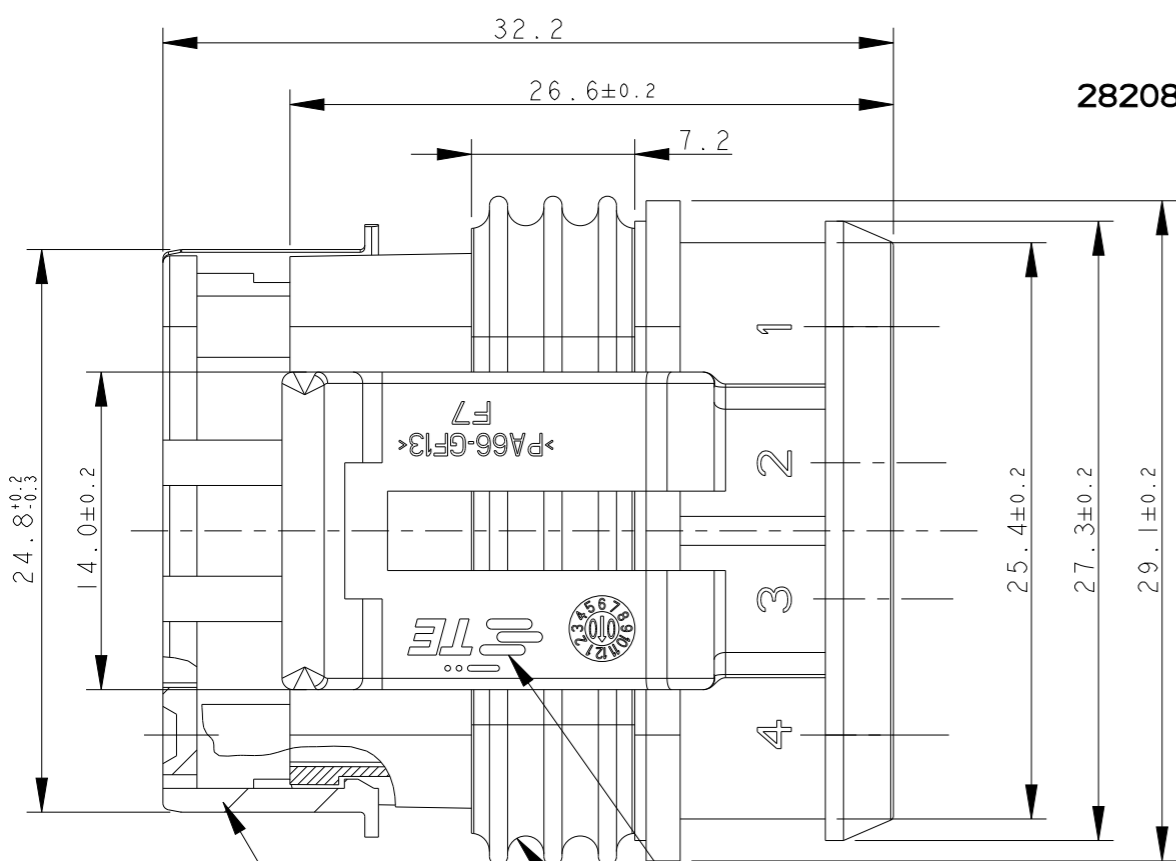


REVISIONS

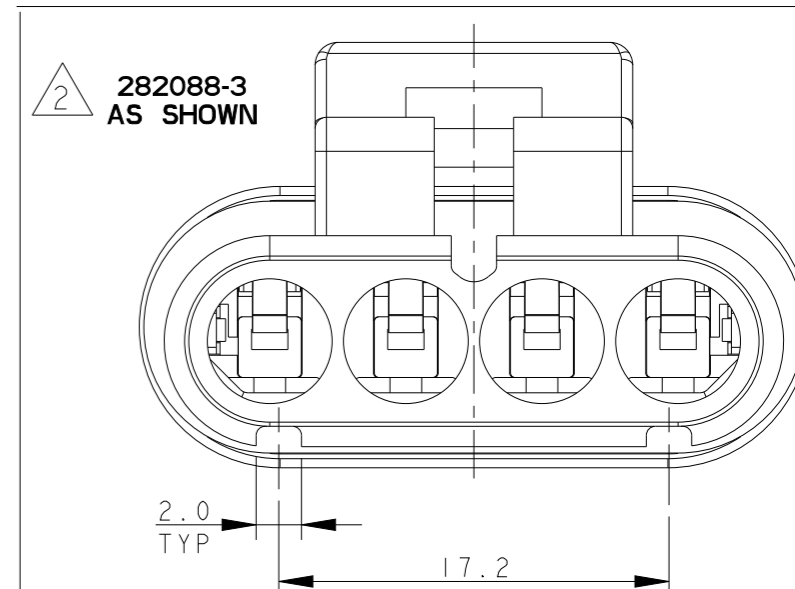
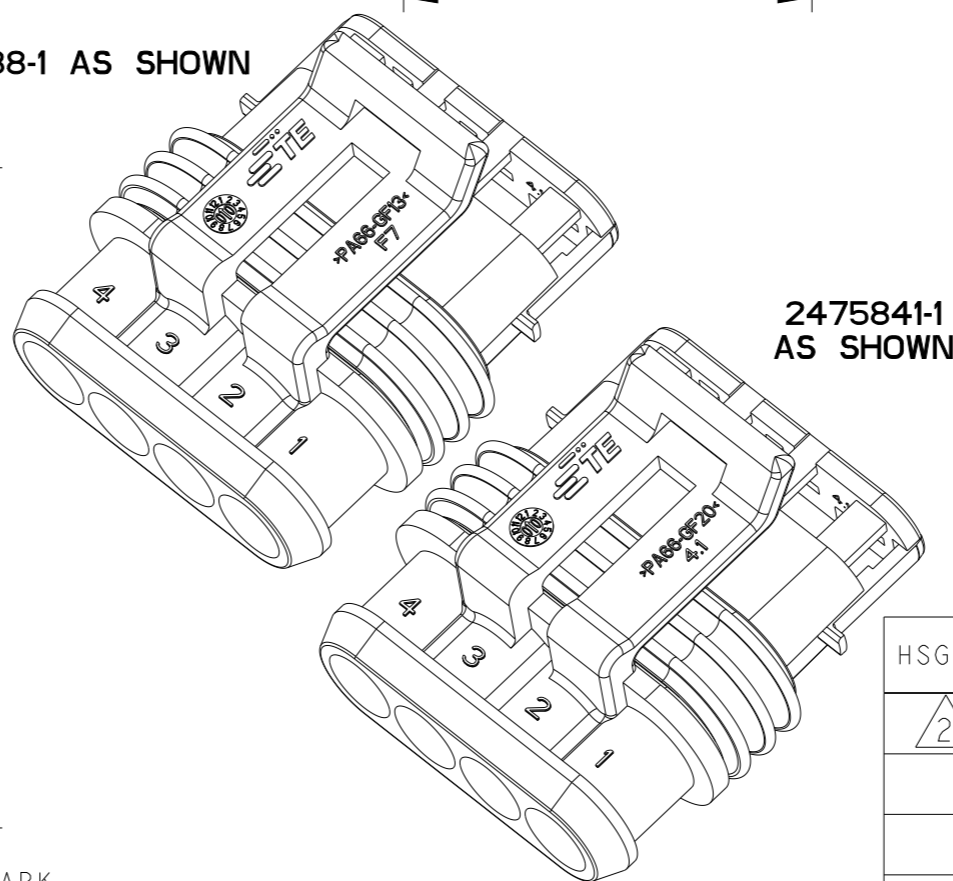
P	LTR	DESCRIPTION	DATE	DWN	APVD
F 4		REVISED PER ECO-17-001706	10FEB2017	C. A.	M. G.
F 5		REVISED PER ECN-24-254961	06MAR2024	V. N.	V. N.



VIEW FROM "A"



282088-1 AS SHOWN



TE CONNECTIVITY TRADE MARK,
 (IN ALTERNATIVE: "AMP" LOGO, OR "Tyco Electronics" LOGO)

SEALING
 (COLOUR YELLOW)

PRE-ASSEMBLED SECONDARY LOCK
 (COLOUR RED)

1) FOR COUNTERPART DETAILS, SEE SHEET 2 OF 2

2 282088-3 DIFFERS FROM -1 FOR WHAT INDICATED

COLOUR	MATERIAL	PART NUMBER
HSG+SL - WHITE	ACC. TO IEC 60335-1 HSG+SL: PA66GF20 UL94-V2 SEALING: LSR	2475841-1
2 BLACK	HOUSING+SEC.LOCK: PA66-GF SEALING: LSR	282088-3
GRAY		282088-2
BLACK		282088-1

THIS DRAWING IS A CONTROLLED DOCUMENT.

DIMENSIONS:	TOLERANCES UNLESS OTHERWISE SPECIFIED:
mm	
	0 PLC ±-
	1 PLC ±0.3
	2 PLC ±-
	3 PLC ±-
	4 PLC ±-
	ANGLES ±2°
MATERIAL	FINISH
SEE TABLE	SEE TABLE

DWN	C. BERTINI	05-1992
CHK	A. BRUNI	05-1992
APVD	-	-
PRODUCT SPEC	108-20090	
APPLICATION SPEC	412-20000	
WEIGHT	4.65gr	
Customer Drawing		



AMP SUPERSEAL 1.5 SRS.
 4 POSITIONS PLUG ASS'Y

SIZE	CAGE CODE	DRAWING NO	RESTRICTED TO
A3	00779	C-282088	-
SCALE	3:1	SHEET 1 OF 2	REV F5

4

3

2

1

THIS DRAWING IS UNPUBLISHED.

RELEASED FOR PUBLICATION

2007

REVISIONS

© COPYRIGHT 2007 BY -

ALL RIGHTS RESERVED.

P	LTR	DESCRIPTION	DATE	DWN	APVD
-	-	SEE SHEET 1		-	-

COUNTERPART DETAILS

SECTION A-A

17.90±0.15

1.0 MAX.

8.0

1.5 CONST.

0.4

-X-

0°30' DRAFT ADMITTED ALL AROUND

R1.4±0.2

15°

40°

0.2 REF.

7.0±0.2

10.8±0.2

10.70±0.15

3.00±0.15

-Y-

6.0

⊕ ∅0.2 -X- -Y- TYP.

2.0

C

3.0±0.2

12.0

18.0

SECTION C-C

28.9±0.2

25.0±0.1

R0.6 TYP.

R

9.6±0.2

1.0 MAX.

3.00

1.2

TAB DETAILS

0.5±0.1

0.5 MAX.

1.5±0.1

0.86±0.07

15° TYP.

1.0±0.2

MATERIALS: PA66-GF FOR HOUSING
TIN PLATED BRASS FOR TABS

THIS DRAWING IS A CONTROLLED DOCUMENT.

DWN C. BERTINI 05-1992

CHK A. BRUNI 05-1992

APVD -

NAME

TE Connectivity

PRODUCT SPEC

108-20090

APPLICATION SPEC

412-20000

WEIGHT

4.65gr

AMP SUPERSEAL 1.5 SRS.
4 POSITIONS PLUG ASS'Y

SIZE

A3

CAGE CODE

300779

DRAWING NO

C-282088

RESTRICTED TO

-

DIMENSIONS:

mm

TOLERANCES UNLESS OTHERWISE SPECIFIED:

0 PLC ±0.3

1 PLC ±0.1

2 PLC ±0.05

3 PLC ±

4 PLC ±

ANGLES ±2°

FINISH

Customer Drawing

SCALE 1:1

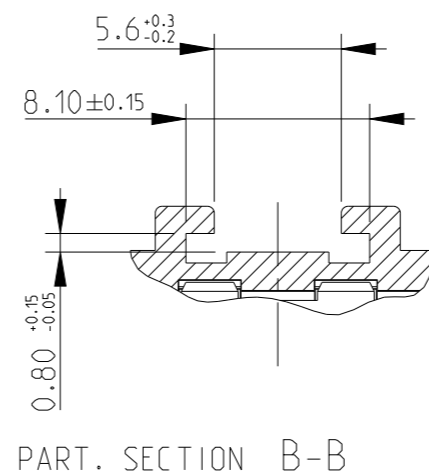
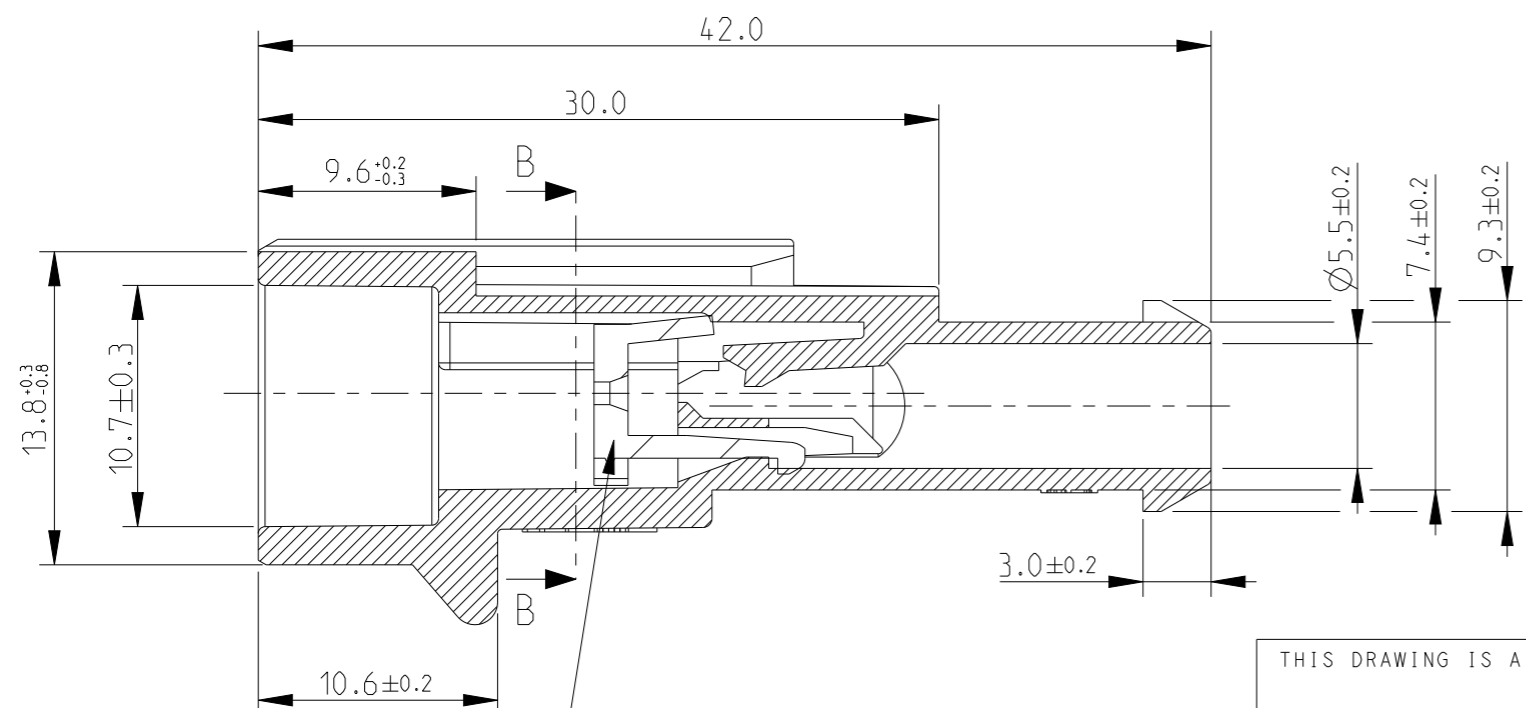
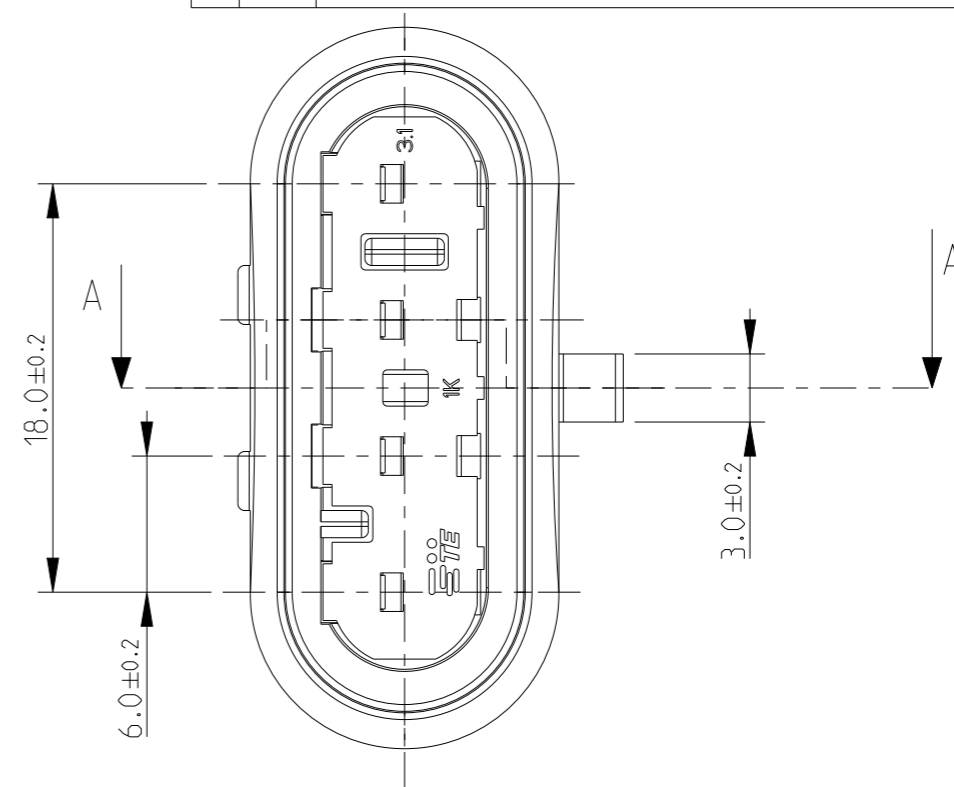
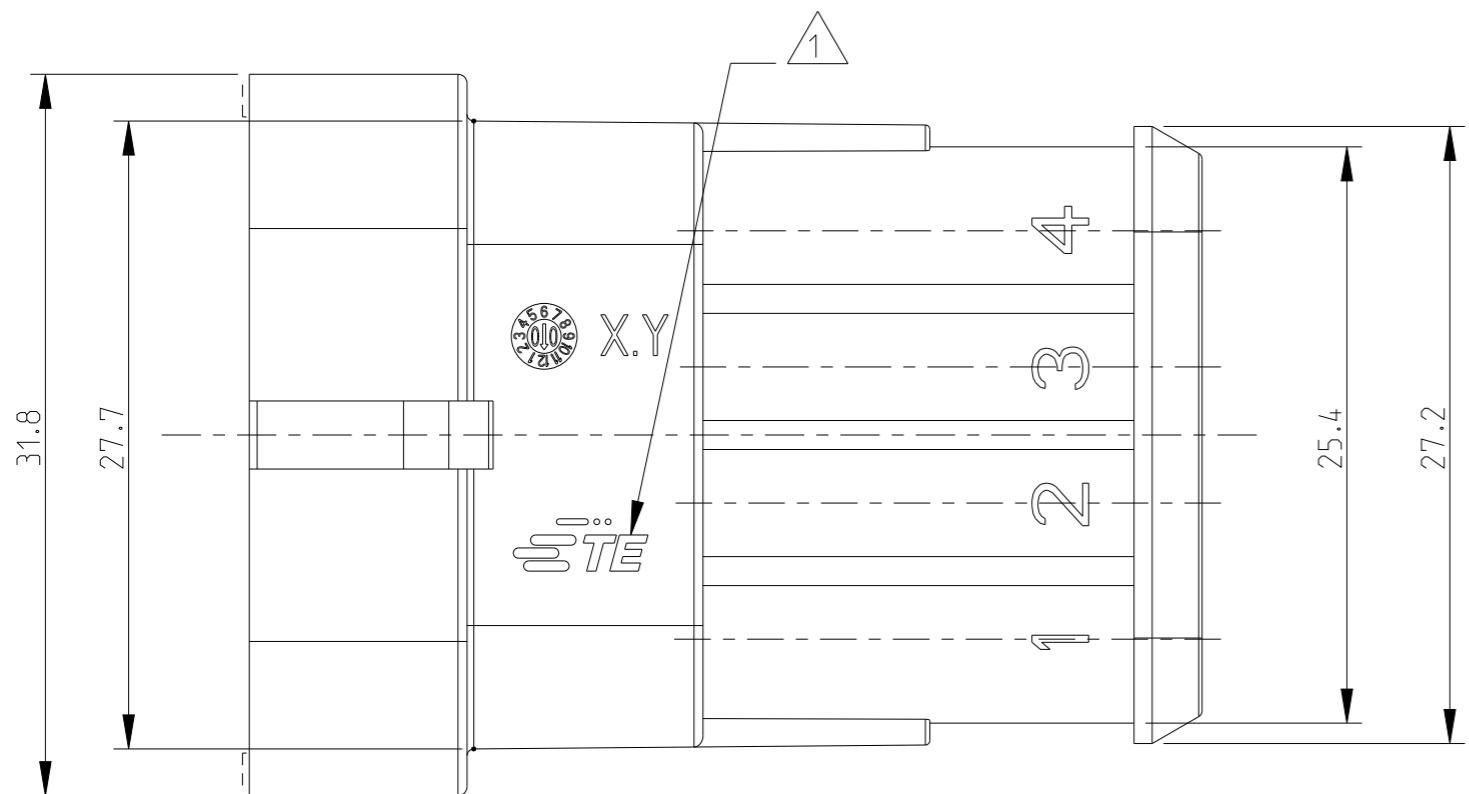
SHEET 2 OF 2

REV F5

1470-19 (3/13)

REVISIONS

P	LTR	DESCRIPTION	DATE	DWN	APVD
B3		REVISED (ECO-17-009774)	06SEP2017	M.G.	M.G.
B4		REVISED PER ECO-20-002019	12FEB2020	AP	VN
B5		REVISED PER ECN-24-254961	06MAR2024	V.N.	V.N.



FINISH/COLOR	MATERIAL	REV	PART NUMBER
HSG+SL: WHITE	PA66-GF UL94-V2 ACC. TO IEC 60335-1	A	2475845-1
BROWN ²	PA66-GF	B	4-282106-1
GRAY	PA66-GF	B	282106-2
BLACK	PA66-GF	B	282106-1

PRE-ASSEMBLED SECONDARY LOCK (RED COLOR)

¹ TE CONNECTIVITY TRADE MARK, (IN ALTERNATIVE: "AMP" LOGO, OR "Tyco Electronics" LOGO)

² PRELIMINARY

THIS DRAWING IS A CONTROLLED DOCUMENT.		DWN 02 - 1990
DIMENSIONS: mm		CHK C.BERTINI
TOLERANCES UNLESS OTHERWISE SPECIFIED:		02 - 1990
0 PLC	±	APVD -
1 PLC	± 0.3	PRODUCT SPEC
2 PLC	±	108-20090
3 PLC	±	APPLICATION SPEC
4 PLC	±	412-20000
ANGLES	± 2°	WEIGHT 6.14g
MATERIAL	FINISH	CUSTOMER DRAWING
SEE TABLE	SEE TABLE	

TE Connectivity		NAME	
		AMP SUPERSEAL 1,5 SERIES CONNECTORS 4 POSITIONS TAB ASS'Y	
SIZE	CAGE CODE	DRAWING NO	RESTRICTED TO
A3	-	©=282106	
SCALE 3:1		SHEET 1 OF 2	REV B5

4

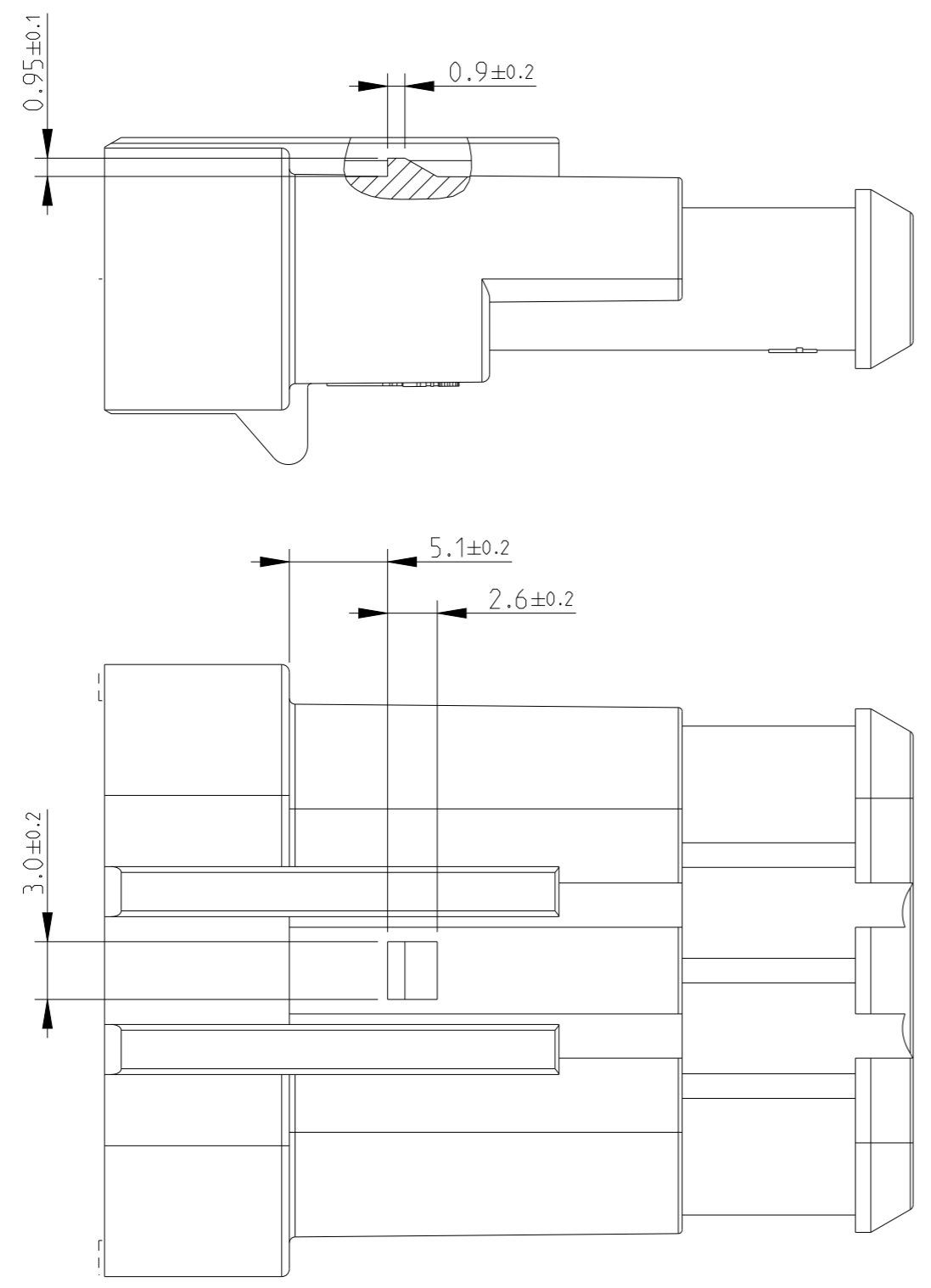
3

2

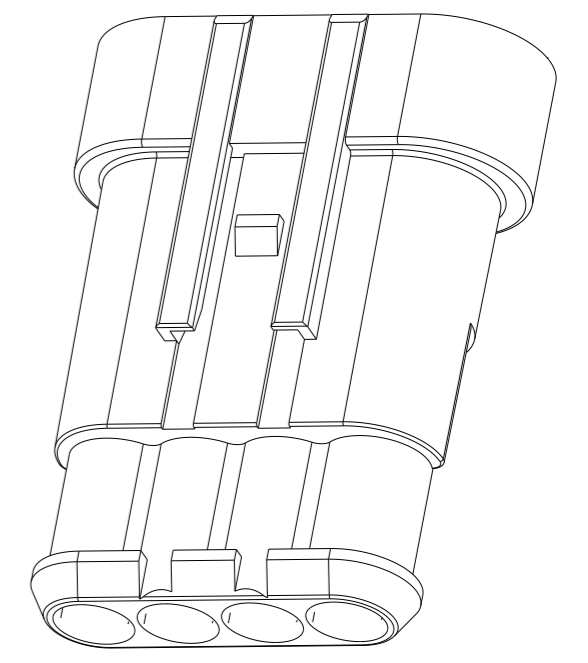
1

THIS DRAWING IS UNPUBLISHED. RELEASED FOR PUBLICATION 20
 © COPYRIGHT 20 BY - ALL RIGHTS RESERVED.

REVISIONS					
P	LTR	DESCRIPTION	DATE	DWN	APVD
-		SEE SHEET 1	-	-	-




REFER SHEET 1 FOR MISSING DIMENSIONS



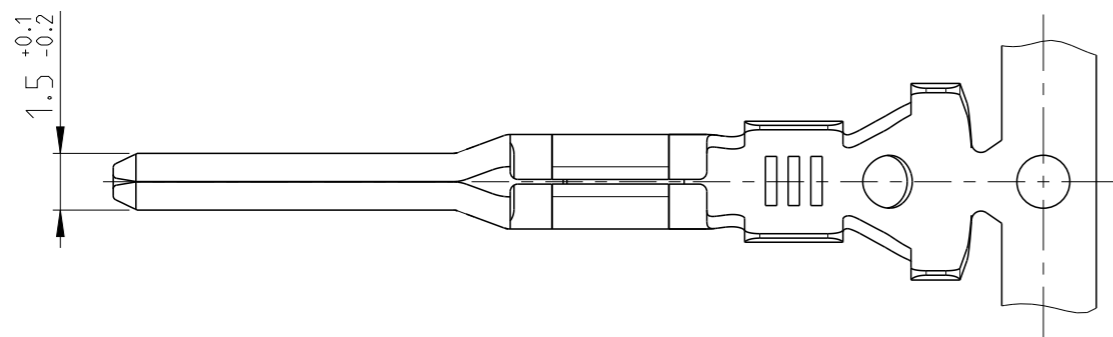
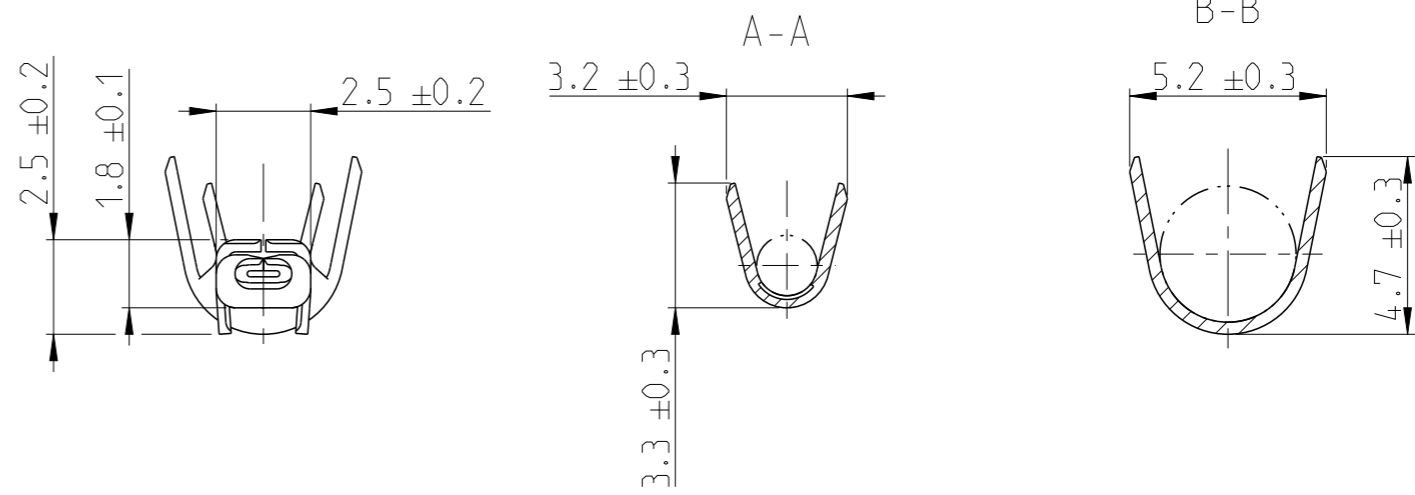
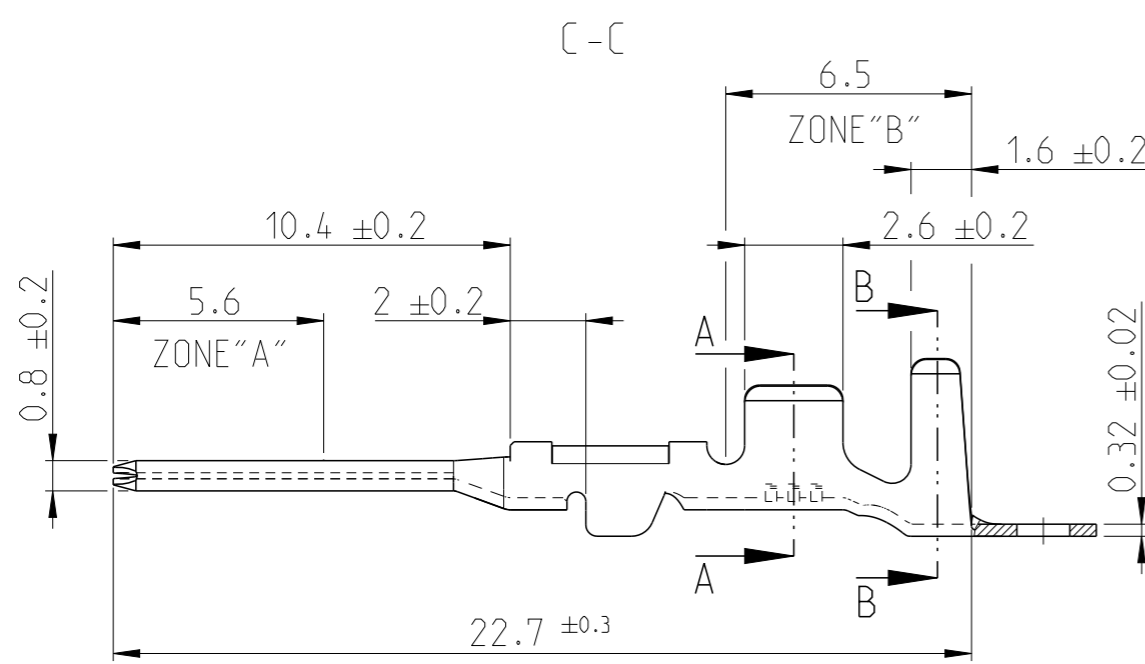
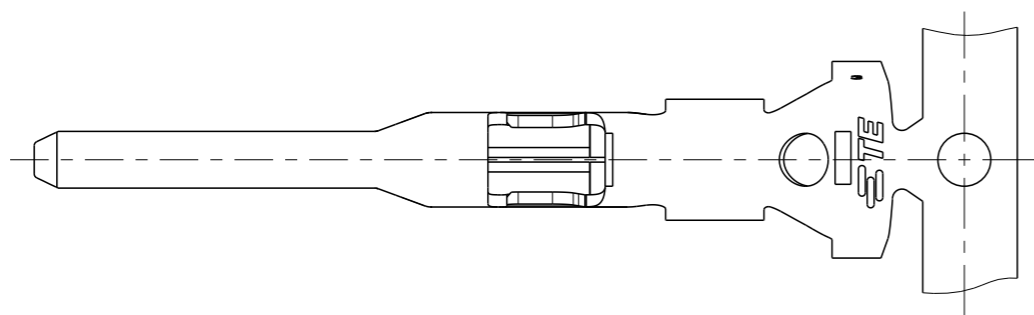
PRELIMINARY

4-282106-1 AS SHOWN

THIS DRAWING IS A CONTROLLED DOCUMENT.		DWN C.BERTINI 02 - 1990	 TE Connectivity		
DIMENSIONS: mm		CHK A.BRUNI 02 - 1990			
TOLERANCES UNLESS OTHERWISE SPECIFIED:		APVD -	NAME AMP SUPERSEAL 1,5 SERIES CONNECTORS 4 POSITIONS TAB ASS'Y		
<ul style="list-style-type: none"> 0 PLC ±- 1 PLC ±0.3 2 PLC ±- 3 PLC ±- 4 PLC ±- ANGLES ±2° 		PRODUCT SPEC 108-20090	SIZE A3		
MATERIAL - SEE TABLE		APPLICATION SPEC 412-20000	CAGE CODE -	DRAWING NO C=282106	RESTRICTED TO
FINISH - SEE TABLE		WEIGHT 6.14g	SCALE 3:1		
		CUSTOMER DRAWING	SHEET 2 OF 2		REV B5

THIS DRAWING IS UNPUBLISHED. RELEASED FOR PUBLICATION 20
 © COPYRIGHT 20 BY - ALL RIGHTS RESERVED.

REVISIONS					
P	LTR	DESCRIPTION	DATE	DWN	APVD
	E6	REVISED PER ECO-11-005033	02APR2011	RK	HMR
	E7	REDRAWN TO CREO	14APR2017	GH	JP
	F	REVISED TO MATCH PART 282109-5 REVISION	27SEP2018	SCK	SCK

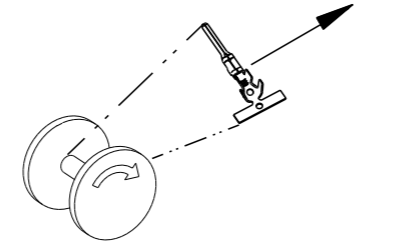


- 1 FOR TE GERMANY PRODUCTION ONLY:
GOLD PLTD 0.8µm OVER "ZONE A", TIN PLTD OVER "ZONE B" AND NICKEL UNDERPLATING ALL OVER
SOLO PER PRODUZIONE TE GERMANY:
DORTURA 0.8µm NELLA "ZONA A", STAGNATURA NELLA "ZONA B" E NICHELATURA SU TUTTO IL CONTATTO.
- 2 SUITABLE FOR SINGLE WIRE SEAL TE P/N 281934-...
ADATTO PER GOMMINO TE P/N 281934-...
- 3 ITEM IS SUPPLIED REELED ON CARTON REEL
WITH STRIP PITCH = 11.9±0.1mm
STATO DI FORNITURA: AVVOLTI SU BOBINA CON PASSO TRA TERMINALI DI = 11.9±0.1mm

PRE-TIN (PRE STAGNATO)	PHOSPH. BRONZE (BRONZO FOSF.)	282109-5
GOLD PLTD (DORATO) 1	BRASS (OTTONE)	282109-3
PRE-TIN (PRE STAGNATO)	BRASS (OTTONE)	282109-1
FINISH/COLOUR (FINITURA/COLORE)	MATERIAL (MATERIALE)	TE PART NO. (NUMERO)

INS. DIA. RANGE (DIAM. ISOLANTE)	WIRE RANGE (RANGO FILO)
2	∅0.75 - 1.5mm ²

DIRECTION OFF TOP OF REEL
SENSO DI USCITA DALLA BOBINA



THIS DRAWING IS A CONTROLLED DOCUMENT.

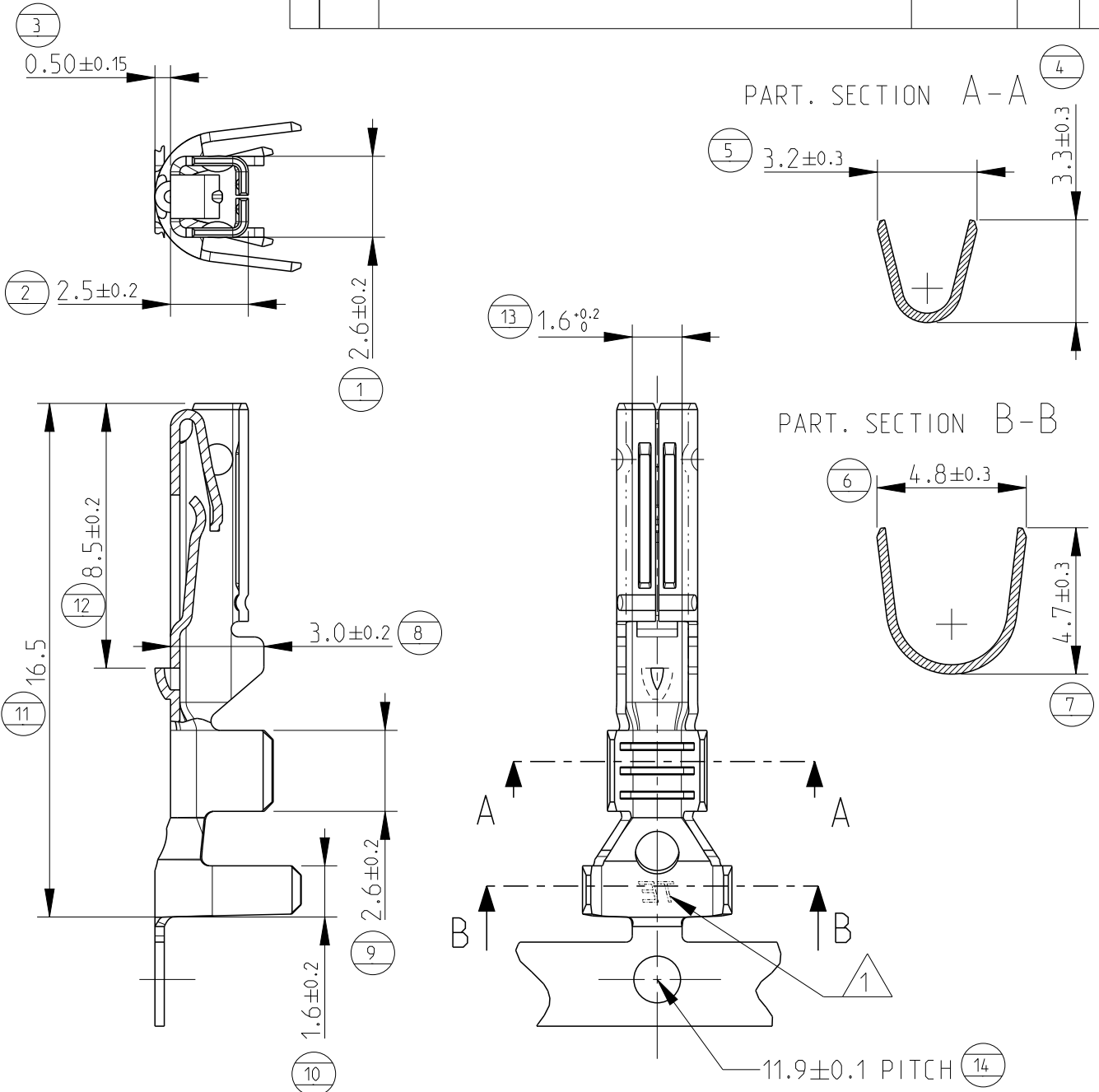
DIMENSIONS: mm	TOLERANCES UNLESS OTHERWISE SPECIFIED:
	0 PLC ± 1 PLC ± 2 PLC ± ±0.3 3 PLC ± 4 PLC ±
MATERIAL	FINISH ANGLES ±2°

DWN BASSANO	09NOV1990
CHK BERTINI	09NOV1990
APVD A.BRUNI	09NOV1990
PRODUCT SPEC	108-20090
APPLICATION SPEC	114-20045
WEIGHT	-
CUSTOMER DRAWING	



NAME MINI MIC SRS TAB CONTACT			
SIZE A3	CAGE CODE 00779	DRAWING NO C=282109	RESTRICTED TO
SCALE 5:1		SHEET 1 OF 1	REV F

REVISIONS				
P	LTR	DESCRIPTION	DATE	DWN APVD
	D2	REVISED PER ECR-15-001967	11FEB2015	M.G. M.G.



- 1 "TE" LOGO OR, IN ALTERNATIVE, "AMP" LOGO
- 2) SUITABLE FOR SINGLE WIRE SEAL P/N 281934-...
- 3) WIRE SIZE RANGE: 0.75-1.5mm2

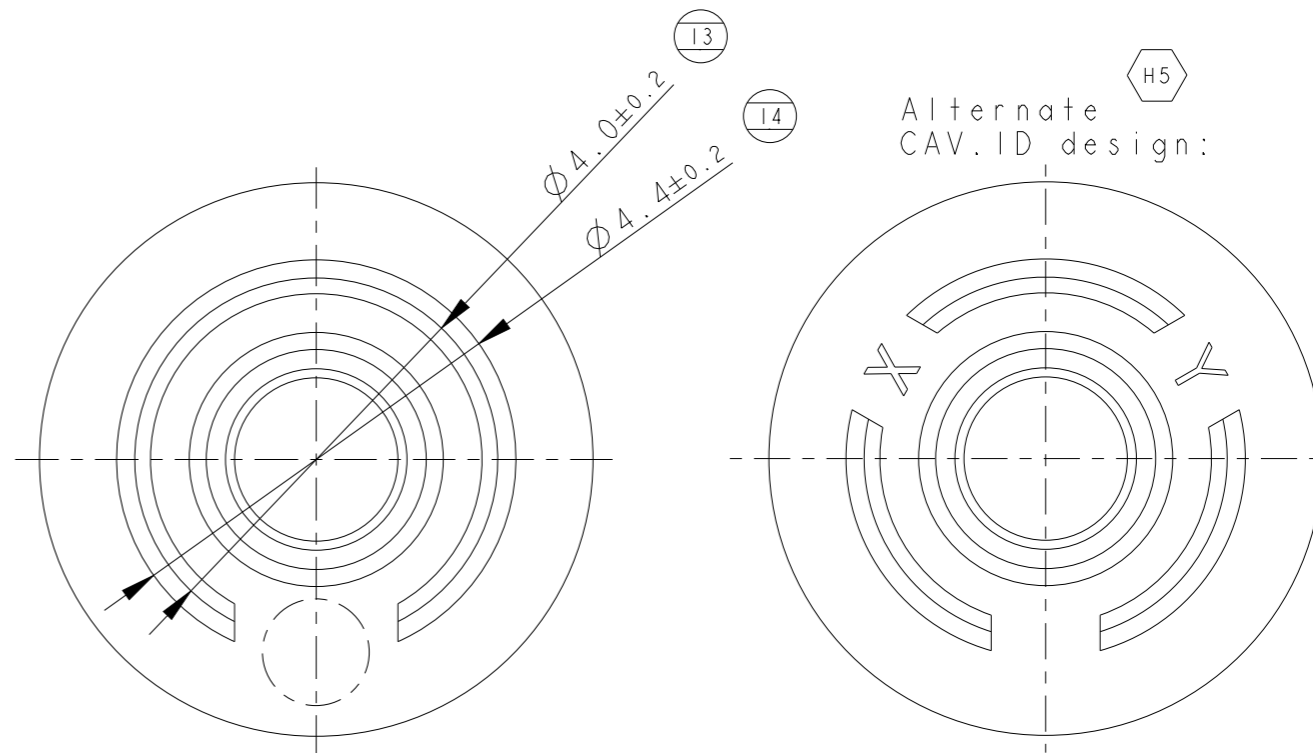
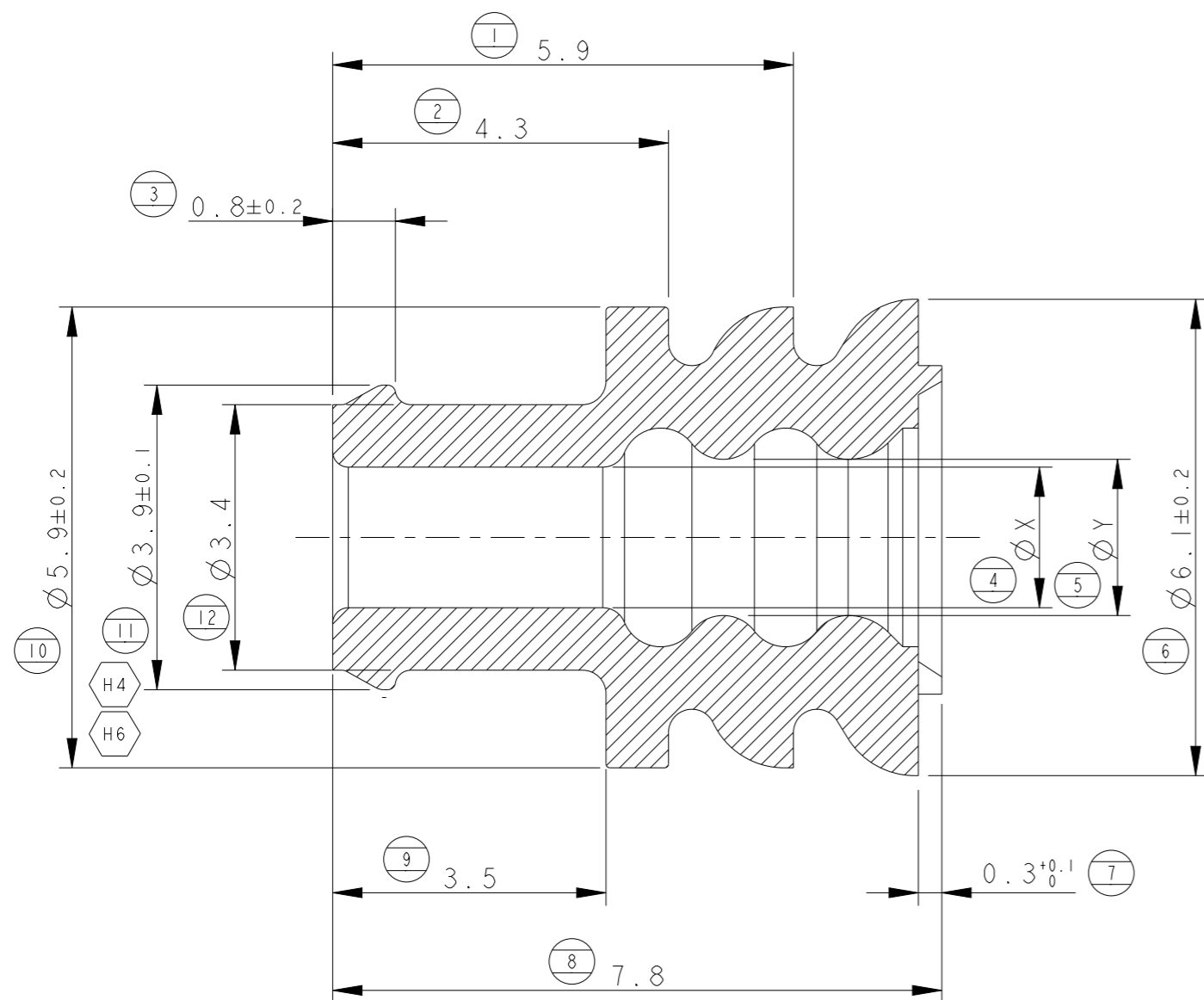
P/N 282110-1 AS SHOWN

THIS DRAWING IS UNPUBLISHED. BY - ALL RIGHTS RESERVED. RELEASED FOR PUBLICATION 20 COPYRIGHT 20

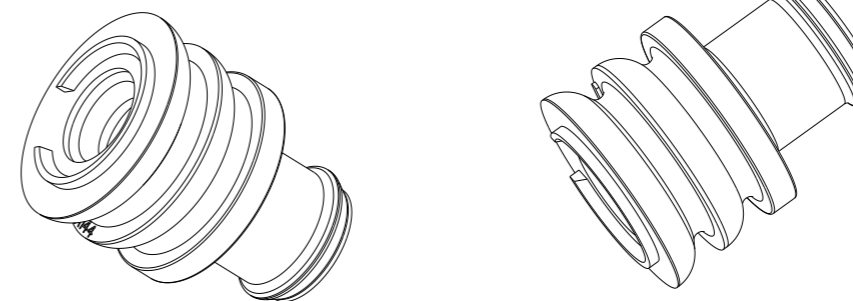
DIMENSIONS: mm		DWN Bassano 09Nov90	MATERIAL PH. BRONZE	FINISH PRE-TIN		
TOLERANCES UNLESS OTHERWISE SPECIFIED:		CHK Bertini 09Nov90	TE Connectivity			
0 PLC ±	1 PLC ±0.3	APVD -				
2 PLC ±	3 PLC ±	PRODUCT SPEC 108-20090	NAME MINI MIC SRS. RECEPTACLE CONTACT -			
4 PLC ±	ANGLES ±°	APPLICATION SPEC 114-20045				
		WEIGHT 0.35gr	SIZE A 4	CAGE CODE 00779	DRAWING NO C-282110	RESTRICTED TO -
		Customer Drawing		SCALE 5:1	SHEET 1 OF 1	REV D2

REVISIONS

P	LTR	DESCRIPTION	DATE	DWN	APVD
H3		ECR-23-169886	17APR2023	BV	GB
H4		(5- -3) added & DIM.11 Tolerance changed.	13MAY2025	BV	SZG
H5		Alternate CAV.ID design added.	11SEP2025	BV	GB
H6		Drawing error (DIM.11) was fixed	23SEP2025	BV	GB



SCALE 5:1



same as 281934-3	same as 281934-3	same as 281934-3	YELLOW	LSR	H	5-281934-3	H4
same as 281934-2	same as 281934-2	same as 281934-2	YELLOW	LSR	H	5-281934-2	H3
1.2 - 1.6	1.0±0.2	1.0±0.2	WHITE	FLUORSILICONE RUBBER (FSL)	H	281934-5	
			GREEN	SILICONE RUBBER (LSR)	H	281934-4	
2.5 - 3.3	2.0±0.2	1.8±0.2	RED	SILICONE RUBBER (LSR)	H	281934-3	
1.7 - 2.4	1.4±0.2	1.4±0.2	YELLOW	SILICONE RUBBER (LSR)	H	281934-2	
SUITABLE FOR INS. DIA	DIM. "Y"	DIM. "X"	COLOUR	MATERIAL	REV.	P/N	



THIS DRAWING IS A CONTROLLED DOCUMENT.

DWN C. BERTINI 12-'88

CHK A. BRUNI 05-'92

APVD -

PRODUCT SPEC -

APPLICATION SPEC -

WEIGHT -

Customer Drawing

NAME SINGLE WIRE SEAL

SIZE A3 CAGE CODE - DRAWING NO C-281934 RESTRICTED TO -

SCALE 7:1 SHEET 1 OF 1 REV H6



DIMENSIONS:		TOLERANCES UNLESS OTHERWISE SPECIFIED:	
mm		0 PLC	±0.3
		1 PLC	±0.3
		2 PLC	±-
		3 PLC	±-
		4 PLC	±-
MATERIAL		ANGLES	±2°
SEE TABLE		FINISH	-